

S-1155/S-1255 Resilient seat gate valve DN 50-65

DIN F4 short/DIN F5 long

02-05/1039000131/10.2008 **2**
Page 1 of 2

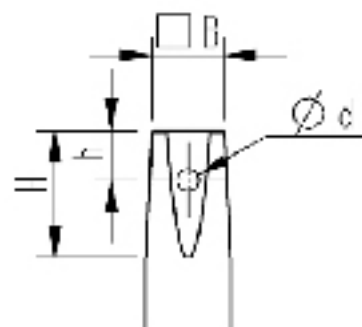
Application and features

- Application: Water and sewage
- Easy to assemble microswitch for remote control
- Design pressure 64 bar
- Double o-rings
- Rubber coated wedge
- Blow-out proof bonnet gasket
- Dirt seal
- Mounting set for micro switch enclosed
- Handwheel included



Technical description

- Pressure class: PN 16, clockwise closing, standard drilling PN 10 (EN1092-2)
- Standards: DIN 3352-1/4, DIN 3840, EN 12266, EN 1074
- Max. working temperature: 50°C.
- Test pressure: Open valve, 24 bar. Closed valve, 21 bar.
- Bonnet connection: Socket head bolts, recessed and covered with wax
- Stem: Non-rising. With tapered stem end. Pitch 1:20, see table
- Vacuum: -0,8 bar
- Approvals: DVGW (D), VdS (D)
- Face-to-face length: S-1155 - EN558/ISO 5752 series 14
S-1255 - EN558/ISO 5752 series 15
- Surface treatment: Epoxy minimum 250 µm
Colour: Blue, RAL 5017

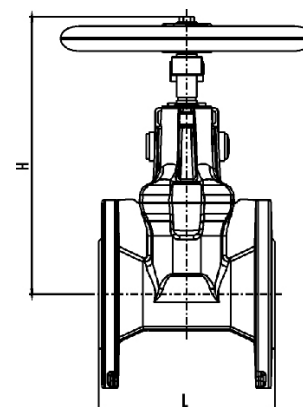


Dimensions stem top:

DN	B	H	h	d
50-65	12,3	27,5	7	4,5

References, dimensions, performances

Series	DN mm	H mm	L mm	Wht. kg	Kv m ³ /h	Z	Esco no.
S-1155	50	245	150	13	221	0,2	11550050
	65	304	170	18	335	0,2	11550065
S-1255	50	245	250	13	221	0,2	12550050
	65	304	270	19	335	0,2	12550065



Other variants can be supplied to special order.

Kongsberg Esco AS can accept no responsibility for possible errors in catalogues, brochures and other printed material. Kongsberg Esco AS reserves the right to alter its products without notice. This also applies to products already on order provided that such alterations can be made without subsequent changes being necessary in specifications already agreed. All trademarks in this material are property of the respective companies. Kongsberg Esco and the Kongsberg Esco logotype are trademarks of Kongsberg Esco AS. All rights reserved.

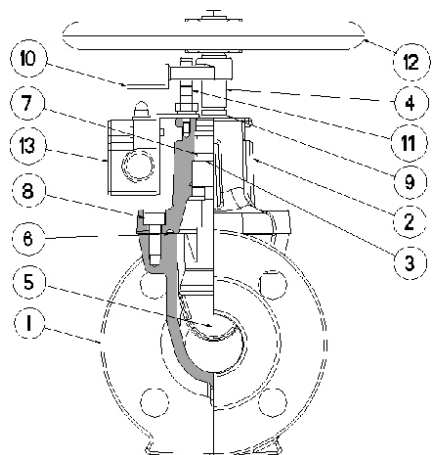
S-1155/S-1255 Resilient seat gate valve DN 50-65

DIN F4 short/DIN F5 long

02-05/1039000131/10.2008 **2**

Page 2 of 2

Material specification



Material specification:

Pos	Detail	Materials
1	Body	Ductile iron EN 1563 EN-GJS-500-7
2	Bonnet	Ductile iron EN 1563 EN-GJS-500-7
3	Stem bushing	Brass CR
4	Stem	Stainless steel EN 10088-3 1.4021
5	Wedge	Brass CR/NBR
6	Gasket	Rubber (NBR)
7	O-rings	Rubber (NBR)
8	Socket head bolt	Steel 8.8 zinkplated
9	Dirt seal	Rubber (NBR)
10	Indicator	Brass CuZn 39 Pb3
11	Indicator pin	Stainless steel EN10088-3 1.4021
12	Handwheel	Ductile iron EN1561 EN-GJS-500-7

Characteristics

* Microswitch has to be ordered separately

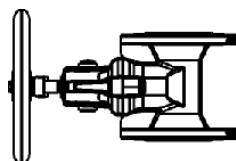
Operation torque:

DN	Number of turns	Bore dia.	Max. torque
50	13	50	200 Nm
65	16	65	200 Nm

Installation



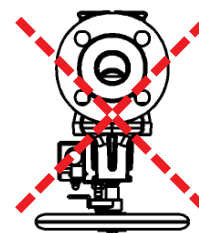
Recommended



Possible



Possible



Not recommended

Accessories and other variants

* Microswitch can be supplied after order