

S-1155/S-1255 Resilient seat gate valve DN 80-150

DIN F4 short/DIN F5 long

02-06/1039000161/08.2009 **2**
Page 1 of 2

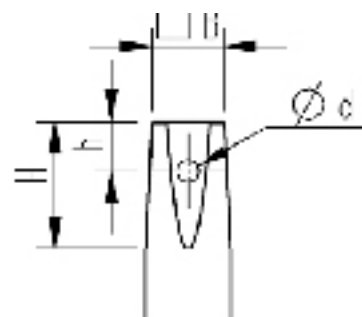
Application and features

- Application: Water and sewage
- Easy to assemble microswitch for remote control
- Design pressure 64 bar
- Especially robust stem in stainless steel
- Double o-rings
- Rubber coated wedge
- Blow-out proof bonnet gasket
- Dirt seal
- Mounting set for micro switch enclosed
- Handwheel included



Technical description

- Pressure class: PN16, clockwise closing, standard drilling PN10 (EN1092-2)
- Standards: DIN 3352-1/4, DIN 3840, EN 1074
- Max. working temperature: 50°C.
- Test pressure: Open valve, 24 bar. Closed valve, 21 bar.
- Bonnet connection: Socket head bolts, recessed and covered with wax
- Stem: Non-rising. With tapered stem end
Pitch 1:20, see table
- Vacuum: -0,8 bar
- Approvals: DVGW (D), VdS (D)
- Face-to-face length: S-1155 - EN 558/ ISO 5752, series 14
S-1255 - EN 558/ ISO 5752, series 15
- Surface treatment: Epoxy minimum 250 µm
Colour: Blue, RAL 5017

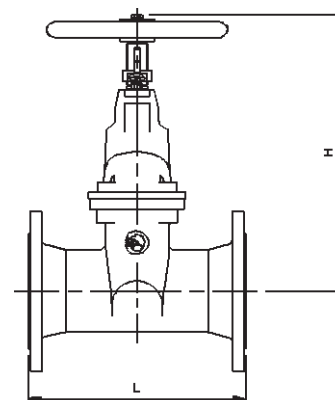


Dimensions stem top:

DN	B	H	h	d
80-150	19,3	28	17	7

References, dimensions, performances

Series	DN mm	H mm	L mm	Wht. kg	Kv m ³ /h	Z	Esco no.
S-1155	80	388	180	24	567	0,2	11550080
	100	380	190	25	885	0,2	11550100
	125	489	200	35	1384	0,2	11550125
	150	493	210	37	2301	0,15	11550150
S-1255	80	388	280	25	567	0,2	12550080
	100	380	300	27	885	0,2	12550100
	125	489	325	35	1384	0,2	12550125
	150	493	350	44	2301	0,15	12550150



Other variants (e.g. PN 16 drilling) can be supplied to special order.

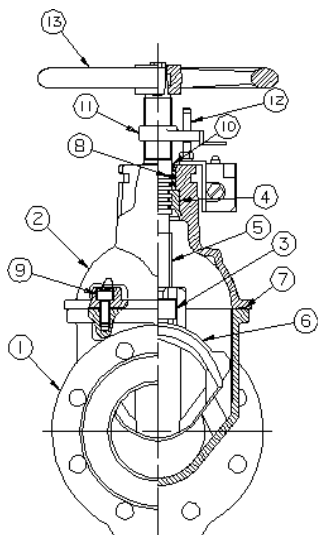
Kongsberg Esco AS can accept no responsibility for possible errors in catalogues, brochures and other printed material. Kongsberg Esco AS reserves the right to alter its products without notice. This also applies to products already on order provided that such alterations can be made without subsequent changes being necessary in specifications already agreed. All trademarks in this material are property of the respective companies. Kongsberg Esco and the Kongsberg Esco logotype are trademarks of Kongsberg Esco AS. All rights reserved.

S-1155/S-1255 Resilient seat gate valve DN 80-150

DIN F4 short/DIN F5 long

02-06/1039000161/08..2009 **2**
Page 2 of 2

Material specification



Material specification:

Pos	Detail	Materials
1	Body	Ductile iron EN 1563 EN-GJS-500-7
2	Bonnet	Ductile iron EN 1563 EN-GJS-500-7
3	Stem nut	Brass CR
4	Stem bushing	Brass CR
5	Stem	Stainless steel EN10088-3 1.4021
6	Wedge	Ductile iron EN1563 EN-GJS-500-7 with rubber (NBR)
7	Gasket	Rubber (NBR)
8	O-rings	Rubber (NBR)
9	Socket head bolt	Steel 8.8
10	Dirt seal	Rubber (NBR)
11	Indicator	Brass
12	Indicator pin	Stainless steel EN10088-3 1.4021
13	Handwheel	Ductile iron EN1561 EN-GJS 500-7

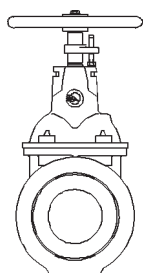
Characteristics

* Microswitch has to be ordered separately

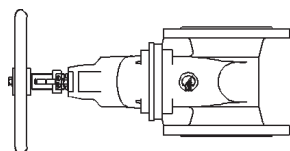
Operation torque:

DN	Number of turns	Bore dia.	Max. torque
80	22	80	240 Nm
100	22	97	300 Nm
125	31	125	400 Nm
150	32	140	450 Nm

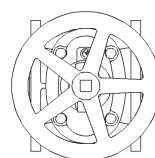
Installation



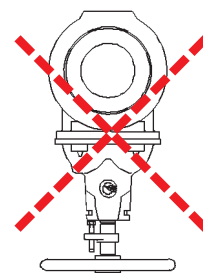
Recommended



Possible



Possible



Not recommended

Accessories and other variants

* Microswitch can be supplied after order.