

S-1160/S-1260 Resilient seat gate valve DN 80-400

DIN F4 short/DIN F5 long. With Auma electrical actuator

02-09/1039002111/07.2008 **2**
Page 1 of 2

Application and features

- Application: Water
- Reputable actuator
- Actuator/valve is preset and synchronized
- Standard type: 220V 3-50Hz. Other types on request
- Standard closing time, see table. Other types on request
- On pipe line pressure test at 21 bar, the valve should be closed by using the handwheel on electrical actuator. This to ensure full leak tightness without activating torque switches
- Design pressure 64 bar
- Double o-rings
- Blow-out proof bonnet gasket
- Rubber coated wedge
- If rotation of actuator 90/180° is desired:
Run the actuator to closed position and loosen bolts against Auma
Use the handwheel for manual operation until desired position
Fasten the bolts against Auma



Technical description

- Pressure class: PN16, clockwise closing, standard drilling PN10 (EN1092-2)
- Standards: DIN 3352-1/4, DIN 3840, ISO 7259, EN 1074, EN 1171
- Max. working temperature: 50°C.
- Test pressure: Open valve, 24 bar. Closed valve, 21 bar.
- Bonnet connection: Socket head bolts, recessed and covered with wax
- Vacuum: -0,8 bar
- Approvals: DVGW (D)
- Face-to-face length: S-1140 - EN 558/ ISO 5752 series 14
S-1240 - EN 558/ ISO 5752 series 15
- Surface treatment: Epoxy minimum 250 µm
Colour: Blue, RAL 5017

Characteristics

DN	Type Auma	Closing time (in sec.) at various motor speed:					
		8 rpm	11 rpm	16 rpm	22 rpm	32 rpm	45 rpm
80	SA 10.1	165	120	82,5	60	41	30
100	SA 10.1	165	120	82,5	60	41	30
125	SA 10.1	230	170	116	85	60	40
150	SA 10.1	230	170	116	85	60	40
200	SA 10.1	245	186	123	90	62	45
200 PN 16	SA 14.1	245	180	123	90	62	45
250	SA 14.1	320	235	160	117	80	57
250 PN 16	SA 14.1	320	235	160	117	80	57
300	SA 14.1	365	265	180	130	90	65
300 PN 16	SA 14.1	365	265	180	130	90	65
400	SA 14.5	440	320	220	160	110	80

Other types of actuator can be supplied to special order

Kongsberg Esco AS can accept no responsibility for possible errors in catalogues, brochures and other printed material. Kongsberg Esco AS reserves the right to alter its products without notice. This also applies to products already on order provided that such alterations can be made without subsequent changes being necessary in specifications already agreed. All trademarks in this material are property of the respective companies. Kongsberg Esco and the Kongsberg Esco logotype are trademarks of Kongsberg Esco AS. All rights reserved.

S-1160/S-1260 Resilient seat gate valve DN 80-400

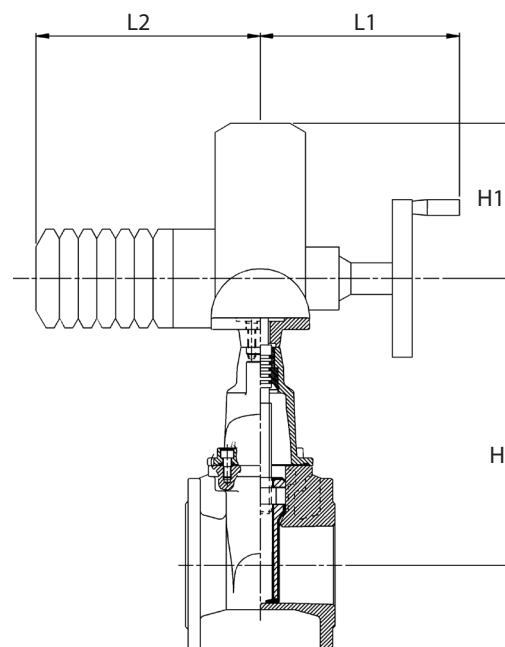
DIN F4 short/DIN F5 long. With Auma electric actuator

02-09/1039002111/07.2008 **2**
Page 2 of 2

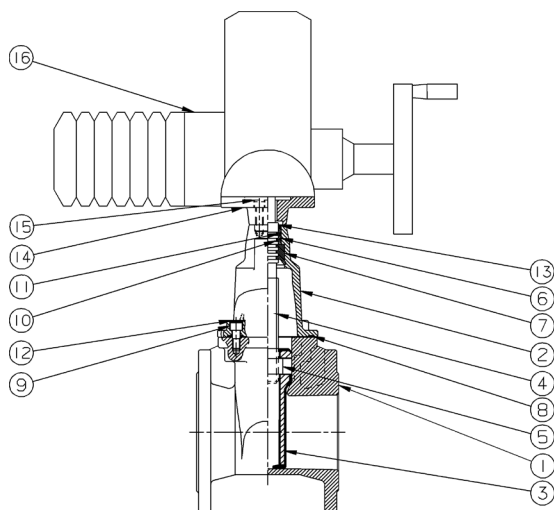
References, dimensions, performances

Series	DN mm	Bore dia.	H mm	H1 mm	L mm	L1 mm	L2 mm	Wht. kg	Esco no.
S-1160	80	PN 10	392	170	180	253	285	47	11600080
	80	PN 16	392	170	180	253	285	47	11600081
	100	PN 10/16	392	170	190	253	285	48	11600100
	125	PN 10/16	488	180	200	253	285	59	11600125
	150	PN 10/16	488	170	210	253	285	64	11600150
	200	PN 10	561	170	230	253	285	94	11600200
	200	PN 16	561	180	230	320	385	94	11600201
	250	PN 10	706	170	250	320	385	125	11600250
	250	PN 16	706	170	250	320	385	125	11600251
	300	PN 10	845	180	270	320	385	198	11600300
	300	PN 16	845	180	270	320	385	198	11600301
	400	PN 10	1182	180	310	327	385	350	11600400
	400	PN 16	1182	180	310	327	385	350	11600401

Can be offered in Serial 15 on request. Type S-1260



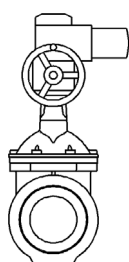
Material specification



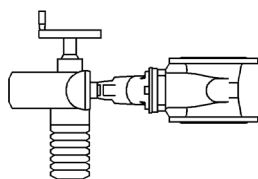
Material specification:

Pos	Detail	Materials
1	Body	Ductile iron EN 1563 EN-GJS-500-7
2	Bonnet	Ductile iron EN 1563 EN-GJS-500-7
3	Wedge	Ductile iron EN 1563 EN-GJS-500-7 with rubber (NBR)
4	Stem	Stainless steel EN10088-3 1.4021
5	Stem nut	Brass CR
6	Stem bushing	Brass CR
7	Bushing	Brass CuZn 39 Pb3
8	Gasket	Rubber (NBR)
9	Socket head bolt	Steel 8.8 El. Zn
10	O-ring	Rubber (NBR)
11	O-ring	Rubber (NBR)
12	Wax	
13	Dirt seal	Rubber (NBR)
14	Adapter for Auma	RA 450 CuZn36Pb2As
15	Socket head bolt	Steel 8.8 El. Zn
16	Auma actuator	See Auma catalogue

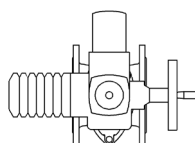
Installation



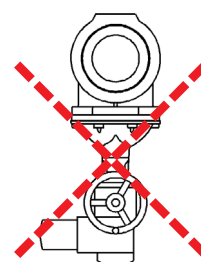
Recommended



Possible



Possible



Not recommended