

# S-1161/S-1261 Resilient seat gate valve DN 80-150

DIN F4 short/DIN F5 long. Prepared for actuator

02-10/1039002561/07.2008 **2**  
Page 1 of 2

## Application and features

- Application: Water and sewage
- Standard ISO actuator flange
- According to standard, service is recommended on 2500 operations

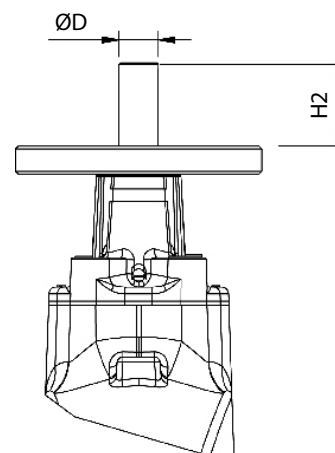


## Technical description

- Design pressure: 64 bar
- Pressure class: PN16, clockwise closing, standard drilling PN10 (EN1092-2)
- Design standards: DIN 3352-1/4, DIN 3840, ISO 7259, EN 1074, EN 1171, NS-EN 5210/DIN 3210
- Max. working temperature: 50°C.
- Test pressure: Open valve, 24 bar. Closed valve, 21 bar.
- Bonnet connection: Socket head bolts, recessed and covered with wax
- Vacuum: -0,8 bar
- Type approvals: DVGW (D) - KIWA - NF - WRAS
- Face-to-face length: S-1161 - EN 558/ISO 5752 series 14  
S-1261 - EN 558/ISO 5752 series 15
- Surface treatment: Epoxy minimum 250 µm  
Colour: Blue, RAL 5017

## Characteristics

DN	Closing torque at 10 bar	Dia. ØD	Adapter flange	No. of turns	H2 mm	Closing torque at 16 bar	Dia. ØD	Adapter flange	No. of turns	H2 mm
80	70 Nm	Ø 20	F 10	22	45	80 Nm	Ø 20	F 10	22	45
100	75 Nm	Ø 20	F 10	22	45	85 Nm	Ø 20	F 10	22	45
125	80 Nm	Ø 20	F 10	31	45	90 Nm	Ø 20	F 10	31	45
150	85 Nm	Ø 20	F 10	31	45	95 Nm	Ø 20	F 10	31	45



Kongsberg Esco AS can accept no responsibility for possible errors in catalogues, brochures and other printed material. Kongsberg Esco AS reserves the right to alter its products without notice. This also applies to products already on order provided that such alterations can be made without subsequent changes being necessary in specifications already agreed. All trademarks in this material are property of the respective companies. Kongsberg Esco and the Kongsberg Esco logotype are trademarks of Kongsberg Esco AS. All rights reserved.

# S-1161/S-1261 Resilient seat gate valve DN 80-150

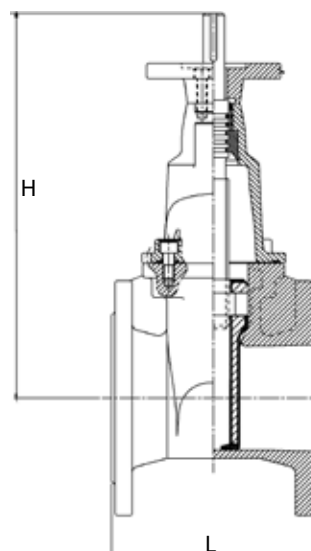
DIN F4 short/DIN F5 long. Prepared for actuator

02-10/1039002561/07.2008 **2**  
Page 2 of 2

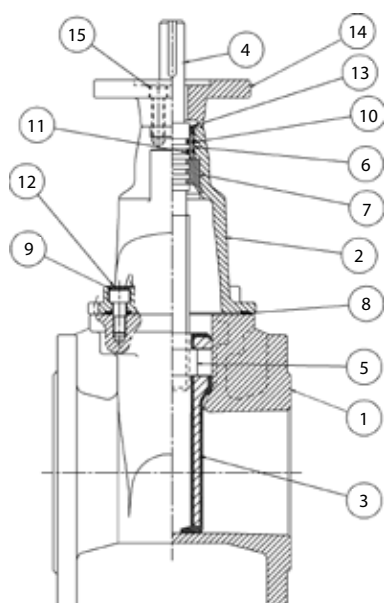
## References, dimensions, performances

Series	DN mm	Flange drilling	H mm	L mm	Wht. kg	Esco no.
S-1161	80	PN 10	267	180	24	11610080
	80	PN 16	267	180	24	11610081
	100	PN 10	267	190	25	11610100
	125	PN 10	363	200	35	11610125
	150	PN 10	363	210	40	11610150

Other variants (e.g. PN 16 drilling or DIN F5) can be supplied to special order.  
Counterclockwise closing in stock line.



## Material specification



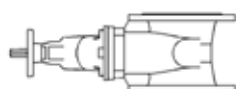
### Material specification:

Pos	Detail	Materials
1	Body	Ductile iron EN 1563 EN-GJS-500-7
2	Bonnet	Ductile iron EN 1563 EN-GJS-500-7
3	Wedge	Ductile iron EN 1563 EN-GJS-500-7 with rubber coating NBR
4	Stem	Stainless steel EN10088-3 1.4021
5	Stem nut	RG-5 CnSn5Pb5Zn5
6	Stem bushing	De-zincd resistant brass
7	Lock bushing	Brass CuZn 39 Pb3
8	Gasket	Rubber (NBR)
9	Socket head bolts	Electro plated steel
10	O-ring	Rubber (NBR)
11	O-ring	Rubber (NBR)
12	Wax	
13	Dirt seal	Rubber (NBR)
14	Adapter for Auma	De-zincd resistant brass CuZn36Pb2As
15	Socket head bolts	Steel 8.8 El. Zn

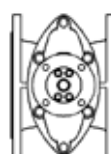
## Installation



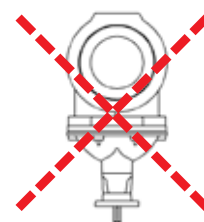
Recommended



Possible



Possible



Not recommended