

S-1161/S-1261 Resilient seat gate valve DN 200-300

DIN F4 short/DIN F5 long. Prepared for actuator

02-11/1039002791/06.2009 **2**
Page 1 of 2

Application and features

- Application: Water and sewage
- Design pressure: 64 bar
- Standard ISO actuator flange in de-zinced resistant brass (see table)
- According to standard, service is recommended on 2500 operations
- Clockwise- and counterclockwise closing are both standard



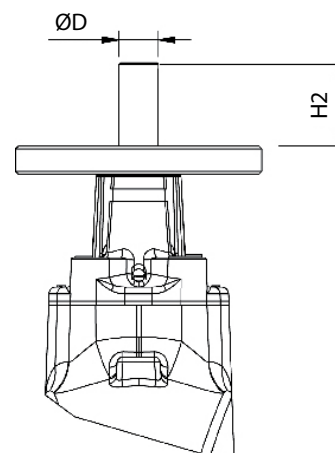
Technical description

- Design standards: DIN 3352-1/4, DIN 3840,, ISO 7259, EN 1074, EN 5210/DIN3210
- Face-to-face length S-1161: EN 558/ ISO 5752 series 14
- Face-to-face length S-1261: EN 558/ ISO 5752 series 15
- Max. working pressure: PN 16, vacuum -0,8 bar
- Flanges: Standard drilling PN10 (EN1092-2), PN 16 on request
- Max. working temperature: 50°C
- Test pressure open valve: 24 bar
- Test pressure closed valve: 21 bar
- Bonnet connection: Socket head bolts, recessed and covered with wax
- Coating: Epoxy minimum 250 µm
- Product colour: Blue, RAL 5017

Characteristics

DN	Operation torque at 10 bar	Dia. ØD	Adapter flange	No. of turns	H2 mm
200	120 Nm	Ø 20	F 10	33	45
250	170 Nm	Ø 30	F 14	43	65
300	190 Nm	Ø 30	F 14	49	65

DN	Manøvermoment ved 16 bar	Dia. ØD	Adapter flange	No. of turns	H2 mm
200	170 Nm	Ø 30	F 14	33	65
250	190 Nm	Ø 30	F 14	43	65
300	225 Nm	Ø 30	F 14	49	65



Kongsberg Esco AS can accept no responsibility for possible errors in catalogues, brochures and other printed material. Kongsberg Esco AS reserves the right to alter its products without notice. This also applies to products already on order provided that such alterations can be made without subsequent changes being necessary in specifications already agreed. All trademarks in this material are property of the respective companies. Kongsberg Esco and the Kongsberg Esco logotype are trademarks of Kongsberg Esco AS. All rights reserved.

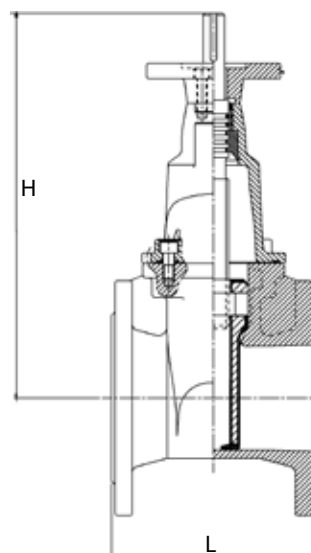
S-1161/S-1261 Resilient seat gate valve DN 200-300

DIN F4 short/DIN F5 long. Prepared for actuator

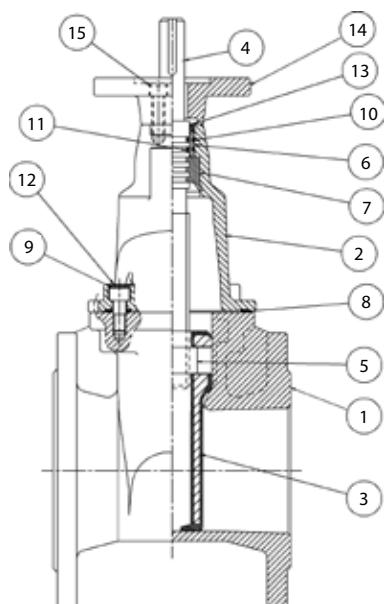
02-11/1039002791/06.2009 **2**
Page 2 of 2

References, dimensions and performances

Series	DN mm	Flange drilling	H mm	L mm	Weight kg	Esco no.
S-1161	200	PN 10	436	230	62	11610200
	200	PN 16	436	230	62	11610201
	250	PN 10	581	250	93	11610250
	250	PN 16	581	250	93	11610251
	300	PN 10	730	270	133	11610300
	300	PN 16	730	270	133	11610301
S-1261	200	PN 10	436	400	80	12610200
	200	PN 16	436	400	80	12610201
	250	PN 10	581	450	104	12610250
	250	PN 16	581	450	104	12610251
	300	PN 10	730	500	153	12610300
	300	PN 16	730	500	153	12610301



Material specification



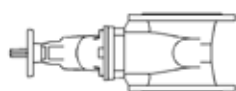
Material specification:

Pos	Detalj	Materialer
1	Body	Ductile iron EN1563 EN-GJS-500-7
2	Wedge	Ductile iron EN1563 EN-GJS-500-7 with rubber (NBR)
3	Bonnet	Ductile iron EN1563 EN-GJS-500-7
4	Lock bushing	Dezinkfree brass
5	Stem	Stainless steel EN10088-3 1.4021
6	Adapter for AUMA	Dezinkfree brass
7	Stemnut	Dezinkfree brass
8	Radial bearing	Composite
9	Axial bearing	Composite
0	Axial/radial bearing	Composite
11	Middelplate	POM
12	Gasket	Rubber NBR
13	O-ring	Rubber NBR
14	O-ring	Rubber NBR
15	Sciffy plug	Nylon
16	Socket head bolt	Steel 8.8 El.Zn
17	Socket head bolt	Steel 8.8
18	Socket head bolt	Steel 8.8

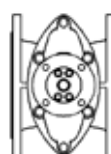
Installation



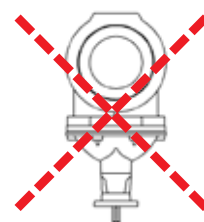
Recommended



Possible



Possible



Not recommended