

S-2840 Resilient seat gate valve Dy 75-315

For PVC-pipes Dy 75-315

03-01/1039002711/06.2009 **3**
Page 1 of 2

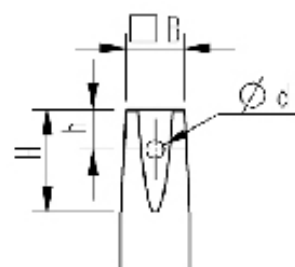
Application and features

- Application: Water and sewage
- No external bolts
- Water lubricated sleeve bearings to reduce operating torque (DN 250-300)
- Blow-out proof bonnet gasket
- Dirt seal
- Sealing for PVC-pipes has support rings to withstand vacuum
- Tensile strength solution by using anchor bend S-2815
- Lockable bayonet coupling system for spindle extension
- GSK approved epoxy coating



Technical description

- Pressure class: PN 16, clockwise closing,
- Standards: DIN 3352 1 and 13, DIN 3840, EN 1074, EN 1171
- Test pressure: Open valve 24 bar, closed valve 17,6 bar
- Vacuum: -0,8 bar
- Design standards: DIN 3352-1 and 13, DIN 3840, EN 1074, EN 1171
- Max. working temperature: 50°C
- Bonnet connection: Socket head bolt, recessed and covered with wax
- Stem: Non-rising. With tapered stem end. Pitch 1:20 (see table)
- Coating: Epoxy minimum 250 µm
Colour: Blue, RAL 5017

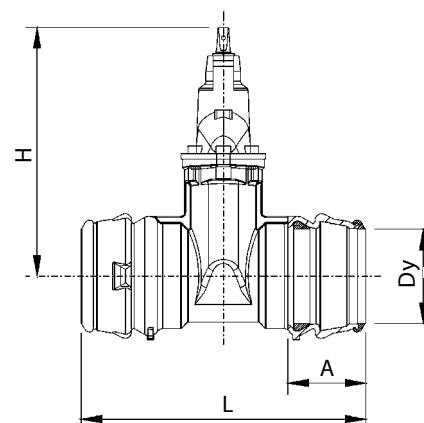


Dimensions stem top:

DN	B	H	h	d
65	17,3	34	17	7
80-150	19,3	38	17	7
200-300	27,3	47	18,5	8

References, dimensions and performances

Dy mm	DN mm	H mm	L mm	A mm	Weight kg	Kv m ³ /h	Z	Esco no.
75	65	262	364	135	11	335	0,2	28400075
90	80	324	389	142	20	507	0,2	28400090
110	100	324	414	145	22	792	0,2	28400110
125	100	324	439	168	26	792	0,2	28400125
140	150	431	434	165	35	2228	0,15	28400140
160	150	431	484	167	39	2228	0,15	28400160
180*	150	431	480	176	53	2228	0,15	28400180
200	200	536	474	184	61	3960	0,15	28400200
225	200	536	554	186	66	3960	0,15	28400225
250	250	639	634	217	99	6188	0,15	28400250
280	250	639	644	221	108	6188	0,15	28400280
315	300	720	654	237	145	8910	0,15	28400315



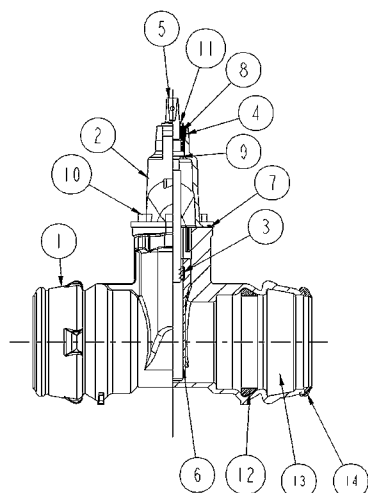
Kongsberg Esco AS can accept no responsibility for possible errors in catalogues, brochures and other printed material. Kongsberg Esco AS reserves the right to alter its products without notice. This also applies to products already on order provided that such alterations can be made without subsequent changes being necessary in specifications already agreed. All trademarks in this material are property of the respective companies. Kongsberg Esco and the Kongsberg Esco logotype are trademarks of Kongsberg Esco AS. All rights reserved.

S-2840 Resilient seat gate valve Dy 75-315

For PVC-pipes Dy 75-315

03-01/1039002711/06.2009 **3**
Page 2 of 2

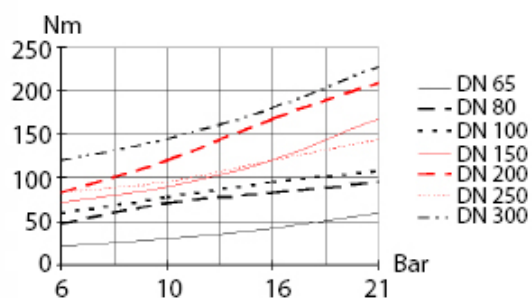
Material specification



Pos	Detail	Materials
1	Body	Ductile iron EN1563 EN-GJS-500-7
2	Bonnet	Ductile iron EN1563 EN-GJS-500-7
3	Stem nut	Dezinkfree brass
4	Stem bushing	Dezinkfree brass
5	Stem	Stainless steel EN10088-3 1.4021
6	Wedge	Ductile iron EN1563 EN-GJS-500-7
7	Gasket	Rubber (NBR)
8	O-rings	Rubber (NBR)
9	Axial sleeve bearing	Composite
10	Socket head bolts	Steel 8.8
11	Dirt seal	Rubber (NBR)
12	Sealing rings	Rubber EPDM/PP

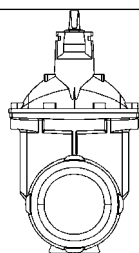
Characteristics

Opening/closing torque

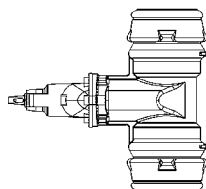


DN	No. of turns	Bore dia mm	Max torque
65	16	65	240 Nm
80	22	87	240 Nm
100	22	97	300 Nm
150	32	140	450 Nm
200	33	187	600 Nm
250	43	240	700 Nm
300	49	290	700 Nm

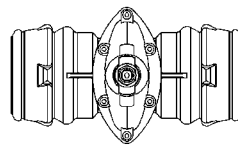
Installation



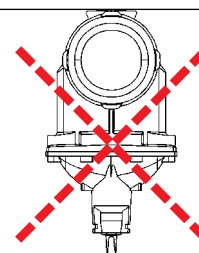
Recommended



Possible



Possible



Not recommended

Accessories and other variants

Accessories:

S-1120/1121 Norwegian cap
S-1122 Swedish cap
S-1123 English cap
S-1124 French cap
S-1110 Handwheel

S-1850 Spindle extension (DN 65)
S-1880 Spindle extension
S-1882 Spindle extension with indicator
S-1830/1835/1840 Operating box
S-2815 Anchor bend

Other variants:

Prepared for actuator
With electrical actuator
With actuator pneumatic
With indicator
S-2845 Counterclockwise closing