

S-2844-0, S-2844-4, S-2844-9

Resilient seat gate valve Dy 75-180

For PE-pipes Dy 75-180

03-02/1039002741/06.2009

Page 1 av 2

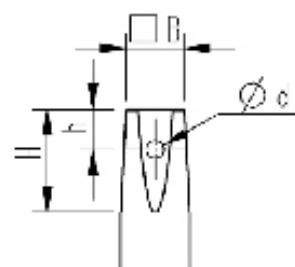
Application and features

- Application: Water and sewage
- Pre-assembled pullout resistant pipe-ends - ready for welding
- Highly fitted for embedment - no bolts in the ground
- Dirt seal on each socket end preventing dirt and sand from entering the sockets
- New insulated stem bushing, protected by a rubber dirt seal
- Lockable bayonet coupling system for spindle extension
- Highly sturdy stem in stainless steel
- GSK approved epoxy coating



Technical description

- Pressure class: PN 16, clockwise closing,
- Max. working temperature: 50°C
- Test pressure: Open valve, 24 bar. Closed valve, 17,6 bar
- Bonnet connection: Socket head bolts, recessed and covered with wax
- Stem: Non-rising with tapered stem end. Pitch 1:20 (see table)
- Standards: DIN 3352 1 and 13. DIN 3840, EN 1074, EN 1171
- Vacuum: - 0,8 bar
- Coating: Epoxy minimum 250 µm
Colour: Blue, RAL 5017
- PE-pipes: SDR 11 and SDR 17
S-2844 * PE 80 PN 10, Dy75-90
S-2844-4 **PE 100 PN 10, Dy90 - 180
S-2844-9 *PE100 PN 16, Dy110-180



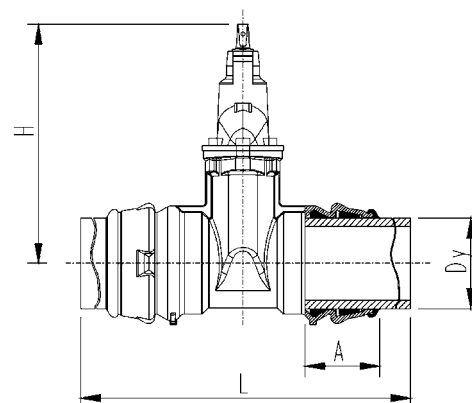
Dimensions stem top:

DN	B	H	h	d
65	17,3	34	17	7
80-150	19,3	38	17	7

References, dimensions and performances

Measures and references

Dy mm	DN mm	H mm	L mm	A mm	Vikt kg	Kv m ³ /h	Z	Esco nr. SDR 11	Esco nr. SDR 17
75	65	262	964	135	11	335	0,2	0028440075	0028441075
90	80	330	989	142	23	507	0,2	0028440090	0028441090
90	80	330	989	142	23	507	0,2		0028444090
110	100	324	1014	145	25	792	0,2	0028449110	0028444110
125	100	324	1039	168	30	792	0,2	0028449125	0028444125
140	150	420	1034	165	40	2228	0,15	0028449140	0028444140
160	150	420	1084	167	46	2228	0,15	0028449160	0028444160
180	150	420	1024	169	52	2228	0,15	0028449180	0028444180



Kongsberg Esco AS can accept no responsibility for possible errors in catalogues, brochures and other printed material. Kongsberg Esco AS reserves the right to alter its products without notice. This also applies to products already on order provided that such alterations can be made without subsequent changes being necessary in specifications already agreed. All trademarks in this material are property of the respective companies. Kongsberg Esco and the Kongsberg Esco logotype are trademarks of Kongsberg Esco AS. All rights reserved.

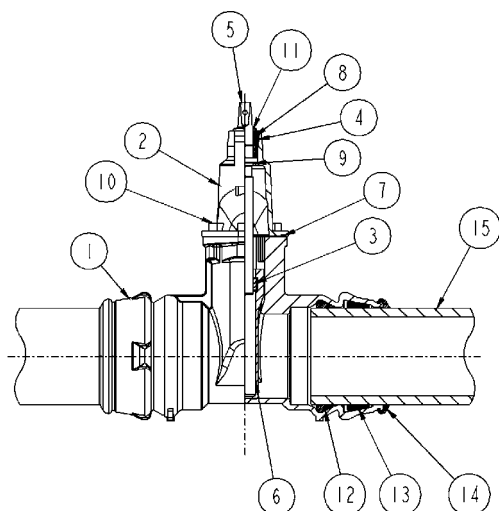
S-2844-0 Resilient seat gate valve Dy 75-180

For PE-pipes Dy 75-180

03-02/1039002741/06.2009

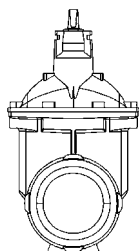
Page 2 av 2

Material specification

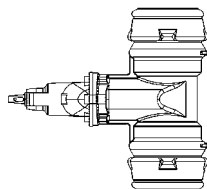


Pos	Detail	Materials
1	Body	Ductile iron EN1563 EN-GJS-500-7
2	Bonnet	Ductile iron EN1563 EN-GJS-500-7
3	Stem nut	Brass CR
4	Stem bushing	Brass CR
5	Stem	Stainless steel EN10088-3 1.4021
6	Wedge	Ductile iron EN1563 EN-GJS-500-7
7	Gasket	Rubber (NBR)
8	O-rings	Rubber (NBR)
9	Axial sleeve bearing	Composite
10	Socket head bolts	Steel 8.8
11	Dirt seal	Rubber (NBR)
12	Sealing rings w/support	EPDM/PTFE
13	Locking ring	POM (Polyacetal)
14	Dirt seal (optional)	Rubber (NBR)
15	PE-pipe	PEH

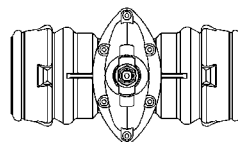
Installation



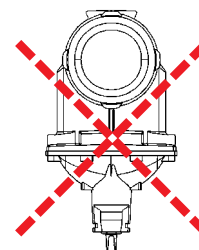
Recommended



Possible



Possible



Not recommended

Accessories and other variants

Accessories

S-1119 Italian cap
S-1120/1121 Norwegian cap
S-1122 Swedish cap
S-1123 English cap
S-1124 French cap
S-1110 Handwheel

S-1850 Spindle extension
S-1880 Spindle extension
S-1882 Spindle extension with indicator
S-1830/1835/1840 Operating box

Other variants:

Prepared for actuator
With electrical actuator
With pneumatic actuator
With indicator
S-2845 Counterclockwise closing