

# S-2950 Resilient seat gate valve DN 100-200

For VRS® pipes

03-04/1039000521/06.2009 **3**  
Page 1 of 2

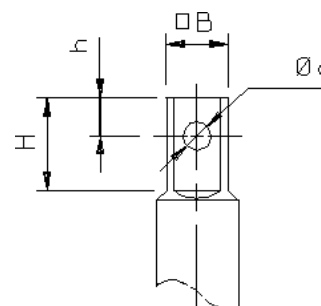
## Application and features

- Application: Water and sewage
- No external bolts
- 2 x double o-rings
- Water lubricated sleeve bearings t
- Blow-out proof bonnet gasket
- Dirt seal
- Lockable bayonet connection to valve stem (S-1881 DN 200-300)



## Technical description

- Pressure class: PN 16, clockwise closing,
- Max. working temperature: 50°C
- Test pressure: Open valve, 24 bar. Closed valve, 17,6 bar
- Bonnet connection: Socket head bolts, recessed and covered with wax
- Stem: Non-rising with tapered stem end. Pitch 1:20 (see table)
- Standards: DIN 3352-1/4, DIN 3840, EN 545, EN 12266
- Vacuum: - 0,8 bar
- Coating: Epoxy minimum 250 µm  
Colour: Blue, RAL 5017

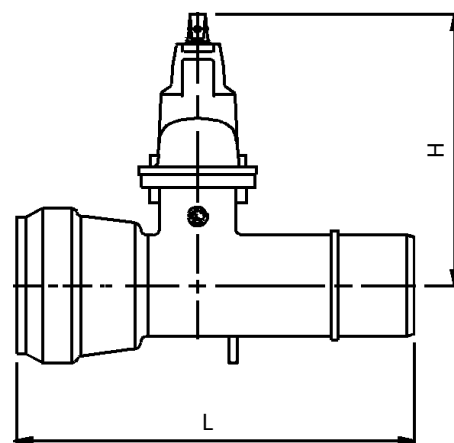


**Dimensions stem top:**

DN	B	H	h	d
100-150	19,3	28	17	7
200	27,3	36	18,5	8

## References, dimensions and performances

Dy mm	DN mm	H mm	L mm	L1 mm	Weight kg	Kv m <sup>3</sup> /h	Z	Esco nr.	NRF nr.
118	100	310	455	134	25	792	0,2	29550100	550 6507
170	150	410	480	155	44	2228	0,15	29550150	550 6513
222	200	475	496	164	71	3960	0,15	29550200	550 6515



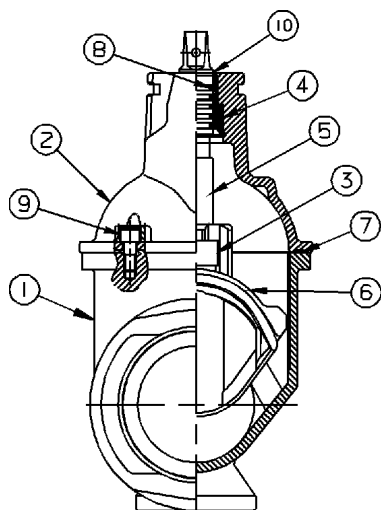
Kongsberg Esco AS can accept no responsibility for possible errors in catalogues, brochures and other printed material. Kongsberg Esco AS reserves the right to alter its products without notice. This also applies to products already on order provided that such alterations can be made without subsequent changes being necessary in specifications already agreed. All trademarks in this material are property of the respective companies. Kongsberg Esco and the Kongsberg Esco logotype are trademarks of Kongsberg Esco AS. All rights reserved.

# S-2950 Resilient seat gate valve DN 100-200

For VRS® pipes

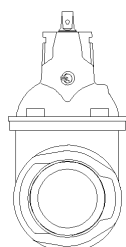
03-04/1039000521/06.2009 **3**  
Page 2 of 2

## Material specification

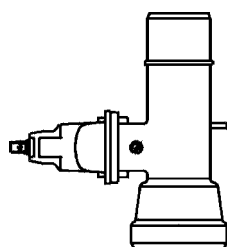


Pos	Detail	Material
1	Body	Ductile iron EN1563 EN-GJS-500-7
2	Bonnet	Ductile iron EN1563 EN-GJS-500-7
3	Stem nut	Brass CR
4	Stem bushing	Brass CR
5	Stem	Stainless steel EN10088-3 1.4021
6	Wedge	Ductile iron EN1563 EN-GJS-500-7 w/rubber (NBR)
7	Gasket	Rubber (NBR)
8	O-rings	Rubber (NBR)
9	Socket head bolts	Steel 8.8
10	Dirt seal	Rubber (NBR)

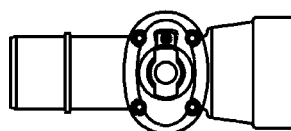
## Installation



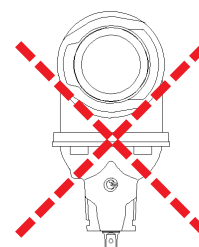
Recommended



Possible



Possible



Not recommended

## Accessories and other variants

### Accessories:

S-1119 Italian cap  
S-1120/1121 Norwegian cap  
S-1122 Swedish cap  
S-1123 English cap  
S-1124 French cap  
S-1110 Handwheel

S-1880 Spindle extension  
S-1882 Spindle extension with indicator  
S-1830/1835/1840 Operating box

### Other variants:

Prepared for actuator  
With electrical actuator  
With pneumatic actuator  
With indicator