

S-2245 / S-2255 Combined T-unit

S-2255 with service valves

04-01/1039002651/06.2009 **4**
Page 1 of 2

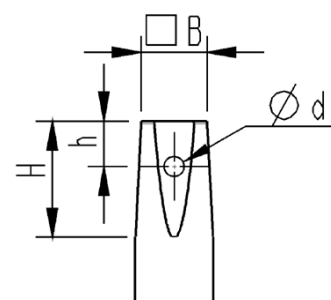
Application and features

- Application: Water
- Short face-to-face dimension, cleaning plugs space-saving, easy assembling
- Center outlet prepared for insertion of cleaning plugs
- Quick assembly/disassembly of adapter flange, stub pipe, etc. (see accessories for combined units)
- Lifting lugs (DN 250-300 only)
- Manual air relief valve (DN 200-300 only)
- Valve-bonnet/stem/wedge are identical with resilient seat gate single valves
- 4 fixing lugs
- Sleeve bearing in composite, water lubricated



Technical description

- Pressure class: PN 16, clockwise closing, standard drilling PN 10 (EN1092-2)
- Test pressure: Open valve, 24 bar. Closed valve, 21 bar.
- Vacuum: -0,8 bar
- Design standards: DIN 3840,
- Max. working temperature: 50°C
- Bonnet connection: Socket head bolt, recessed and covered with wax
- Stem: Non-rinsing. With tapered stem end. According to DIN 87304 (see table).
- Surface treatment: Epoxy average ca. 250 µm
Colour: Blue, RAL 5017



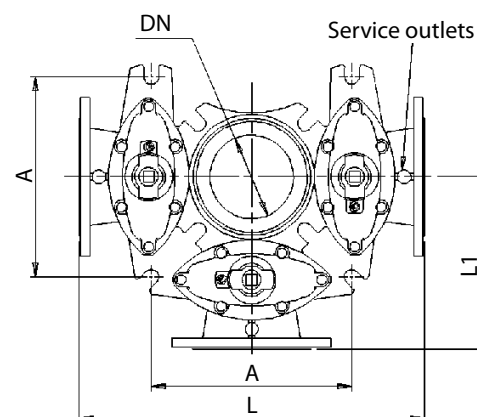
Dimensions stem top:

DN	B	H	h	d
100-150	19,3	38	17	7
200-300	27,3	47	18,5	8

References, dimensions and performances

Serie	DN mm	L mm	A mm	H* mm	H1** mm	Wht kg	Esco no.	Service outlets
S-2245	100	580	212	314	77	79	22453100	
	150	620	360	412	240	136	22453150	
	200	750	445	525	308	242	22453200	
	250	960	617	628	320	406	22453250	
	300	1050	617	717	342	575	22453300	
S-2255	100	580	212	314	77	79	22553100	3/4" valve
	150	620	360	412	240	136	22553150	1" valve
	200	750	445	525	308	242	22553200	1" valve
	250	960	617	628	320	406	22553250	1 1/4" valve
	300	1050	617	717	342	575	22553300	1 1/4" valve

H* and H1** – see next page



Kongsberg Esco AS can accept no responsibility for possible errors in catalogues, brochures and other printed material. Kongsberg Esco AS reserves the right to alter its products without notice. This also applies to products already on order provided that such alterations can be made without subsequent changes being necessary in specifications already agreed. All trademarks in this material are property of the respective companies. Kongsberg Esco and the Kongsberg Esco logotype are trademarks of Kongsberg Esco AS. All rights reserved.

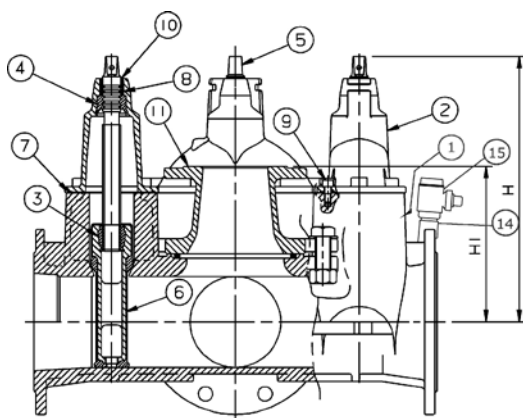
S-2245 / S-2255 Combined T-unit

S-2255 with service valves

04-01/1039002651/06.2009 **4**

Page 2 of 2

Material specification

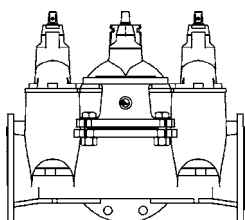


Material specification:

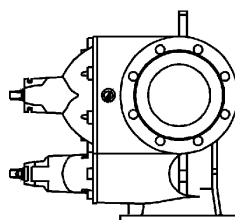
Pos	Detail	Materials
1	Body	Ductile iron EN1563 EN-GJS-500-7
2	Bonnet	Ductile iron EN1563 EN-GJS-500-7
3	Stem nut	Brass CR
4	Stuffing box	Brass CuZn 39 Pb3
5	Stem	Stainless steel EN10088-3 1.4021
6	Wedge	Ductile iron EN1563 EN-GJS-500-7 / rubber
7	Gasket	Rubber (NBR)
8	O-rings	Rubber (NBR)
9	Socket headbolts	Steel 8.8
10	Dirt seal	Rubber (NBR)
11	Adapter flange	Ductile iron EN1563 EN-GJS-500-7
12	Sleeve bearing	Composite
13	Sleeve bearing	Composite
14	Serviceoutlet"	Brass
15	Serviceoutlet"	Brass

*S-2255

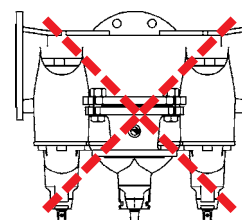
Installation



Recommended



Possible



Not recommended

Accessories and other variations

Accessories:

S-1119 Italian cap
S-1120/1121 Norwegian cap
S-1122 Swedish cap
S-1123 English cap
S-1124 French cap
S-1110 Handwheel

S-1880 Spindle extension
S-1830/S-1835/S-1840 Operating box
S-2220 Stub pipe for cleaning plugs
S-2201 Blinding cover
S-2200-3 Adapter flange

Variations:

Prepared for actuator
Actuator electrical
Actuator pneumatic
Indicator