

S-2151 House connection valve

With standard pipe threads

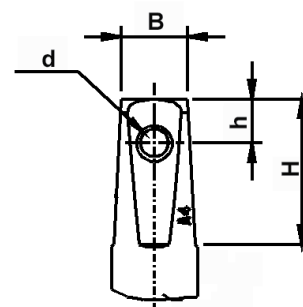
Application and features

- Application: Water and sea water
- No external bolts
- o-rings for stem sealing
- Blow-out proof o-ring for bonnet connection
- Stem of acid proof steel
- Low operation torque
- Lockable, bayonet connection to valve stem S-1850



Technical description

- Pressure class: PN 16
- Max. working temperature: 70°, depended on pipe specifications
For drinking water 20°C
- Test pressure: Open valve, 24 bar. Closed valve, 17,6 bar
- Stem: Non-rising with tapered stem end.
- Connection: With standard pipe threads
- Vacuum: -0,8 bar
- Approvals: SINTEF Byggforsk (N), SITAC (S), ETA(DK)
- Tested and approved for sea water:
Det Norske Veritas Industry AS, report no.: R794135/R795019

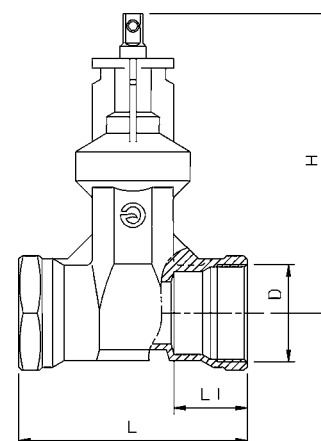


Dimensions stem top:

DN	B	H	h	d
20-50	12	18	8,1	5

References, dimensions and performances

DN/D mm	Dy mm	H mm	L mm	L1 mm	Weight kg	Kv m3/h	Z	Esco no.
20/G 1	25	169	110	33	1,6	43	0,2	21510025
25/G 11/4	32	169	118	37	1,7	69	0,2	21510032
32/G 11/2	40	169	130	38	1,8	69	0,2	21510040
40/G 2	50	183	140	45	2,3	80	0,2	21510050
50/G 21/2	63	208	150	50	3,8	221	0,2	21510063



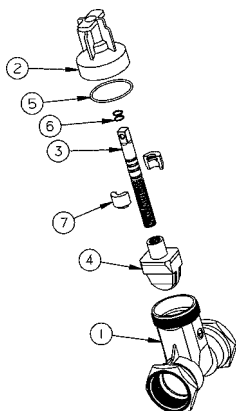
Kongsberg Esco AS can accept no responsibility for possible errors in catalogues, brochures and other printed material. Kongsberg Esco AS reserves the right to alter its products without notice. This also applies to products already on order provided that such alterations can be made without subsequent changes being necessary in specifications already agreed. All trademarks in this material are property of the respective companies. Kongsberg Esco and the Kongsberg Esco logotype are trademarks of Kongsberg Esco AS. All rights reserved.

S-2151 House connection valve

With standard pipe threads

05-02/10.2011 **5**
Page 2 of 2

Material specification



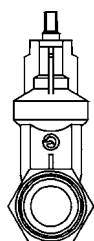
Pos	Detail	Materials
1	Body	Dezinkfree brass (DZR)
2	Bonnet	Dezinkfree brass (DZR)
3	Stem	Acid proof steel
4	Wedge	Dezinkfree brass (DZR)/rubber (NBR)
5	O-ring	Rubber (NBR)
6	O-ring	Rubber (NBR)
7	Stem bushing	Dezinkfree brass (DZR)

Characteristics

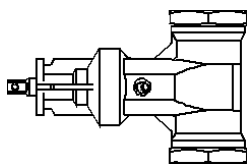
Operation torque:

DN/Dy	Number of turns	Bore dia	Closing torque	Max.torque
20/25	7	22	20Nm	120 Nm
25/32	8	28	20Nm	120 Nm
32/40	8	28	20Nm	120 Nm
40/50	10	38	25Nm	120 Nm
50/63	13	50	30Nm	120 Nm

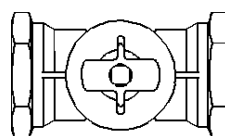
Installation



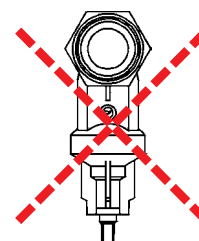
Recommended



Possible



Possible



Not recommended

Accessories and other variations

Accessories:

S-2110 Handwheel
S-1850 Spindle extension
S-1830/S-1835/S-1840 Operating box

Other variations:

S-2140 With push-in socket for PE-pipes
S-2150 With PRK thrust screw couplings
S-2160 With PRK thrust screw coupling and male threads
S-2170 With PE-pipes
S-2186 With integrated Esco-sit compression fittings