

# S-2160 House connection valve

With PRK thrust screw coupling and male threads

05-03/1039000311/01.2007 **5**  
Page 1 of 2

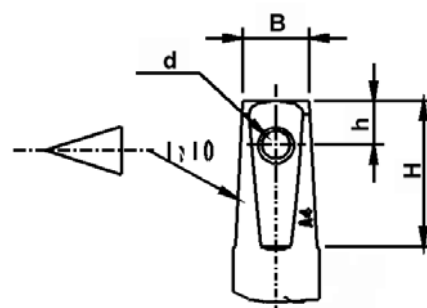
## Application and features

- Application: Water and sea water
- No external bolts
- 3 o-rings for stem sealing
- Blow-out proof o-ring for bonnet connection
- Stem of acid proof steel
- Low operation torque
- Lockable, bayonet connection to valve stem S-1850



## Technical description

- Pressure class: PN 16
- Max. working temperature: 70°, depended on pipe specifications  
For drinking water 20°C
- Test pressure: Open valve, 24 bar. Closed valve, 17,6 bar
- Stem: Non-rising. With tapered stem end. Pitch 1:20 (see table)
- Connection: With PRK retaining nuts for PE-pipes
- Vacuum: -0,8 bar
- Approvals: GNFS (N), SITAC (S)
- Tested and approved for sea water:  
Det Norske Veritas Industry AS, report no.: R794135/R795019



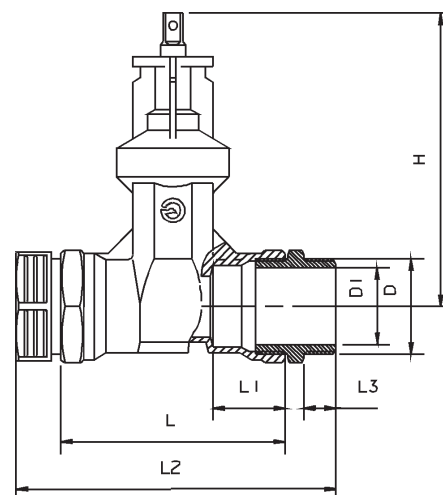
Dimensions stem top:

DN	B	H	h	d
20-50	12	18	8,1	5

## References, dimensions and performances

DN/D mm	Dy mm	H mm	L1 mm	L2 mm	L3 mm	L4 mm	Weight kg	Kv m <sup>3</sup> /h	Z
20/G 1	25	169	33	142	14	150	1,6	43	0,2
25/G 1¼	32	169	37	162	16	166	1,7	69	0,2
32/G 1½	38	169	38	183	18	185	1,8	69	0,2
40/G 2	48	183	45	196	20	198	2,3	80	0,2
50/G 2	48	208	50	219	19	220	3,8	204	0,2

DN/D mm	Esco no.	NRF no.
20/G 1	21600025	338 1266
25/G 1¼	21600032	338 1268
32/G 1½	21600040	338 1271
40/G 2	21600050	338 1273
50/G 2	21600063	338 1275



Kongsberg Esco AS can accept no responsibility for possible errors in catalogues, brochures and other printed material. Kongsberg Esco AS reserves the right to alter its products without notice. This also applies to products already on order provided that such alterations can be made without subsequential changes being necessary in specifications already agreed. All trademarks in this material are property of the respective companies. Kongsberg Esco and the Kongsberg Esco logotype are trademarks of Kongsberg Esco AS. All rights reserved.

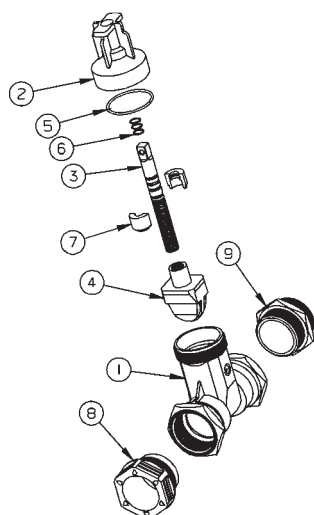
## S-2160 House connection valve

With PRK thrust screw coupling and male threads

05-03/1039000311/01.2007 **5**

Page 2 of 2

### Material specification

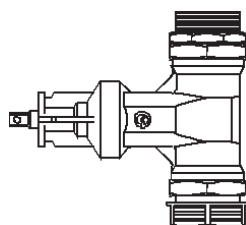


Pos	Detail	Materials
1	Body	Dezinkfree brass (DZR)
2	Bonnet	Dezinkfree brass (DZR)
3	Stem	Acid proof steel
4	Wedge	Dezinkfree brass (DZR)/rubber (NBR)
5	O-ring	Rubber (NBR)
6	O-ring	Rubber (NBR)
7	Stem bushing	Dezinkfree brass (DZR)
8	Thrust screws	Dy 25-50: Acetal plast Dy 63: Dezinkfree brass (DZR)
9	Male	Brass

### Installation



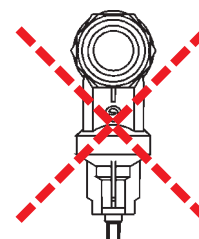
Recommended



Possible



Possible



Not recommended

### Accessories and other variations

#### Accessories:

S-2110 Handwheel  
S-1850 Spindle extension  
S-1830/S-1835/S-1840 Operating box

#### Other variations:

S-2150 With PRK thrust screw couplings  
S-2151 With standard pipe threads  
S-2170 With PE-pipes  
S-2186 With integrated Esco-sit compression fittings