

S-1830/S-1835/S-1840 Operating boxes

For HELNOR telescopic spindle extensions S-1850/S-1880/S-1882

06-01/1039000611/01.2007 **6**

Page 1 of 2

Application and features

- Application: Used to access and operate valves in the ground, along with HELNOR telescopic spindle extensions S-1850/S-1880/S-1881/S-1882
- To be attached to spindle extension with bayonet coupling
- Angle displacable 2°
- Shell moulding gives a nice and accurate design
- Sealed lid with rubber gasket



Technical description



S-1830: Operating box. Round, small.



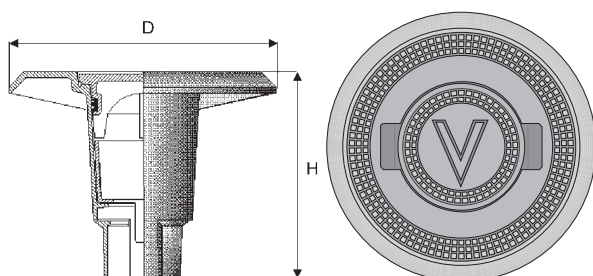
S-1835: Operating box. Square.



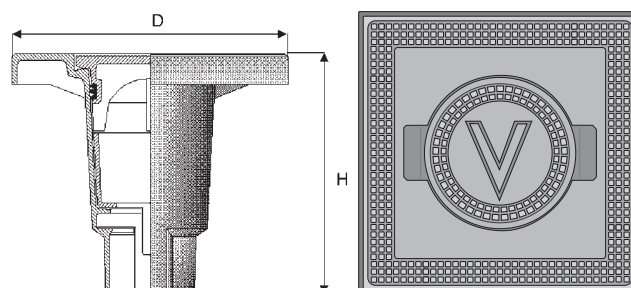
S-1840: Operating box. Round, large.

References, dimensions and performances

Series	H mm	D mm	Weight kg	Esco no.	NRF no.
S-1830	162	210	3,6	18300000	335 3853
S-1835	162	185	3,6	18350000	335 3855
S-1840	162	250	4,1	18400000	335 3871



S-1830/S-1840



S-1835

Kongsberg Esco AS can accept no responsibility for possible errors in catalogues, brochures and other printed material. Kongsberg Esco AS reserves the right to alter its products without notice. This also applies to products already on order provided that such alterations can be made without subsequent changes being necessary in specifications already agreed. All trademarks in this material are property of the respective companies. Kongsberg Esco and the Kongsberg Esco logotype are trademarks of Kongsberg Esco AS. All rights reserved.

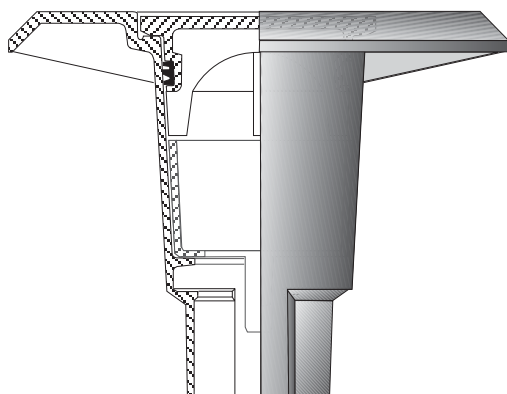
S-1830/S-1835/S-1840 Operating boxes

For HELNOR telescopic spindle extensions S-1850/S-1880/S-1882

06-01/1039000611/01.2007 **6**

Page 2 of 2

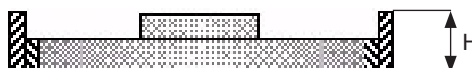
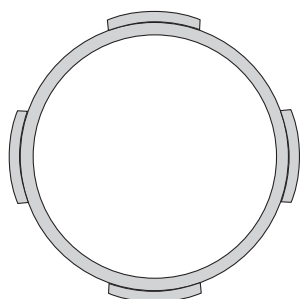
Material specification



Detail	Materials
Operating box	Ductile iron EN 1563 EN-GJS-500-7

Accessories

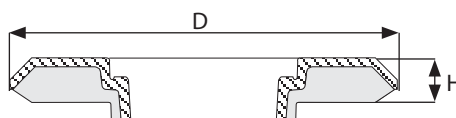
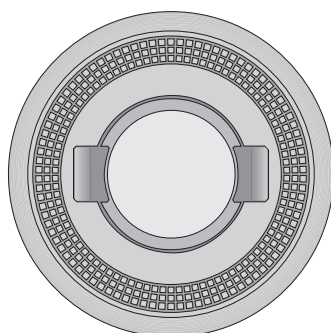
S-1843 Distance ring for S-1830



References and dimensions:

H mm	Weight kg	Esco no.	NRF no.
8	0,1	18430000	335 3881

S-1841 Extension frame for S-1830



References and dimensions:

D mm	H mm	Weight kg	Esco no.	NRF no.
210	24	1,7	18410000	335 3884