

S-1850/S-1850-4 Spindle extensions

For house connection valves and small gate valves. Telescopic

06-02/1039000641/01.2007 **6**
Page 1 of 2

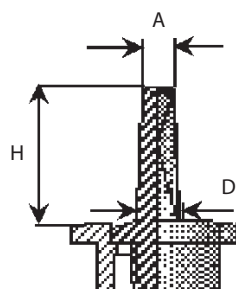
Application and features

- Application: For house connection valves Dy 25-63 (DN 20-50) and small gate valves DN 40-65
- Lockable telescopic length in all positions, due to the oval shaped tube
- Equalizes changes in ground level
- Height is easily adjusted without tools
- Clips to valve by a quick connector
- Metallic connection from operating box to valve makes sonic leakage test possible



Technical description

- S-1850: Hot dipped galvanized steel
- S-1850-4: Acid proof steel A4



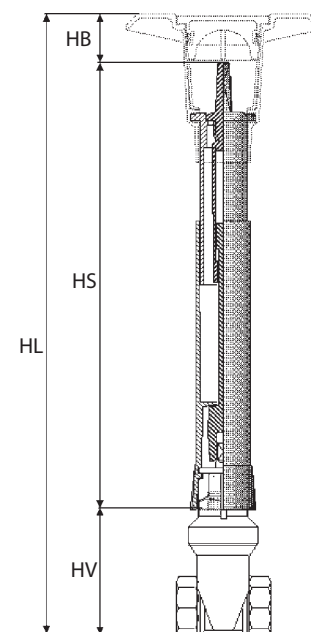
Dimensiones stem top:

Dy	A	D	H
25-63	12	16	56

References, dimensions and performances

Type	HS mm	HB mm	Weight kg	S-1850: Esco nr.	S-1850-4: Esco nr.
0	460-650	60	1,4	18500460	18500464
0,5	600-940	60	2,0	18500600	18500604
1	910-1500	60	2,5	18500910	18500914
2	1250-2230	60	3,5	18501250	18501254
2,5	1530-2730	60	4,2	18501530	18501534
3	2000-3750	60	5,7	18502000	18502004

Dy	HV	HL 0	HL 0,5	HL 1	HL 2	HL 2,5	HL 3
25	104	624-774	764-1104	1074-1664	1414-2394	1694-2894	2164-3878
32	107	627-817	767-1107	1077-1667	1417-2397	1697-2897	2167-3917
40	111	621-821	771-1111	1081-1671	1421-2401	1701-2901	2171-3921
50	130	650-840	790-1130	1100-1690	1440-2420	1720-2920	2190-3940
63	158	678-868	818-1158	1128-1718	1468-2448	1748-2948	2218-3968



Kongsberg Esco AS can accept no responsibility for possible errors in catalogues, brochures and other printed material. Kongsberg Esco AS reserves the right to alter its products without notice. This also applies to products already on order provided that such alterations can be made without subsequent changes being necessary in specifications already agreed. All trademarks in this material are property of the respective companies. Kongsberg Esco and the Kongsberg Esco logotype are trademarks of Kongsberg Esco AS. All rights reserved.

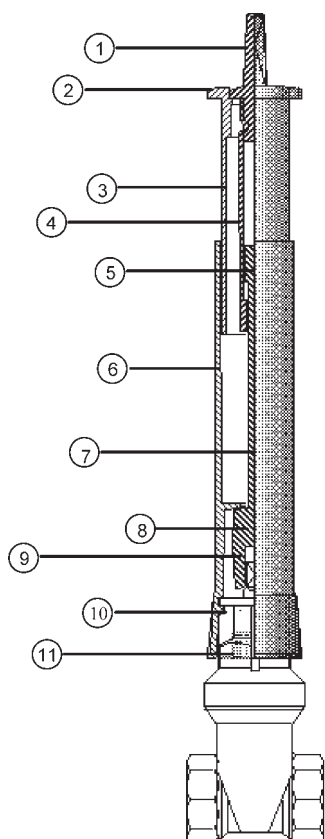
S-1850/S-1850-4 Spindle extensions

For house connection valves and small gate valves. Telescopic

06-02/1039000641/01.2007 **6**

Page 2 of 2

Material specification



Pos	Detail	Materials
1	Cap	Ductile iron EN 1563 EN-GJS-500-7
2	Top face, protective tube	PP-plastic
3	Upper protective tube	PP-plastic 44 x 50 mm
4	Upper spindle tube	Hot dipped galvanized steel/acid proof steel A4
5	Bushing	Hot dipped galvanized steel/acid proof steel A4 16 x 16 x 1,5 mm
6	Lower protective tube	PP-plastic 50 x 56 mm
7	Lower spindle rod	Hot dipped galvanized steel / acid proof steel A4
8	Pin	Stainless steel DIN 17440/acid proof steel A4 EN 10088-3.1 4021
9	Stem sleeve	Ductile iron EN 1563 EN-GJS-500-7
10	Quick connector	PP-plastic
11	Securing clip	PP-plastic

Accessories



S-1850-0 Operating key

For telescopic spindle extension S-1850

References and dimensions:

H mm	Esco nr.	NRF nr.
350	18500000	335 3895



S-1855 Spindle extension extender

(Se separate sheet)

References and dimensions:

Series	L mm	Weight kg	Esco nr.	NRF nr.
S-1855	400	0,9	18550400	335 4173