

S-1855/S-1885 Spindle extension extender

For spindle extensions

06-04/1039000671/01.2007 **6**

Page 1 of 2

Application and features

- Application: For house connection valves and resilient seat gate valves
- To be used when spindle extension is too short
- To be snapped on to existing spindle extension
- Operating boxes S-1830/S-1835/S-1840 can be installed directly on to the extender

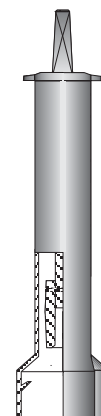


Technical description

- S-1855: Extender for telescopic spindle extension S-1850
- S-1885: Extender for telescopic spindle extension S-1880/S-1881/S-1882

References, dimensions and performances

Series	L mm	Weight kg	Esco no.	NRF no.
S-1855	400	0,9	18550400	335 4173
S-1885	400	1,6	18850400	335 4133



Kongsberg Esco AS can accept no responsibility for possible errors in catalogues, brochures and other printed material. Kongsberg Esco AS reserves the right to alter its products without notice. This also applies to products already on order provided that such alterations can be made without subsequential changes being necessary in specifications already agreed. All trademarks in this material are property of the respective companies. Kongsberg Esco and the Kongsberg Esco logotype are trademarks of Kongsberg Esco AS. All rights reserved.

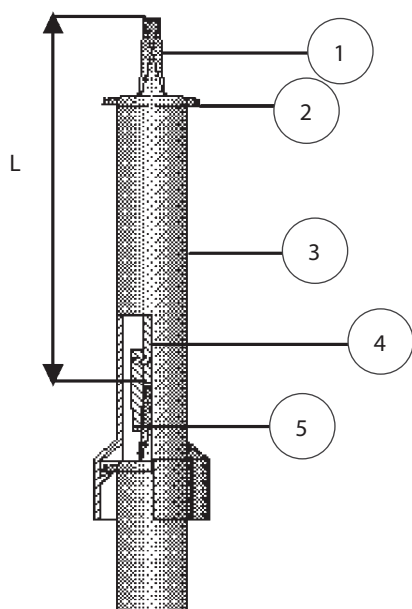
S-1855/S-1885 Spindle extension extender

For spindle extensions

06-04/1039000671/01.2007 **6**

Page 2 of 2

Material specification



Pos	Detail	Materials
1	Cap	Ductile iron GGG 50
2	Top face, protective tube	PP-plastic
3	Protective tube	PP-plastic
4	Stem tube	Hot dipped galvanized steel
5	Stem sleeve	Ductile iron GGG 50

Accessories



S-1850-0 Operating key

For telescopic spindle extension S-1850

References and dimensions:

H mm	Esco nr.	NRF nr.
350	18500000	335 3895



S-1880-0 Operating key

For telescopic spindle extensions S-1880/S-1881/S-1882

References and dimensions:

H mm	Esco nr.	NRF nr.
1200	18800000	335 3891