

Caps

For resilient seat gate valves

06-05/1039000551/01.2007 **6**

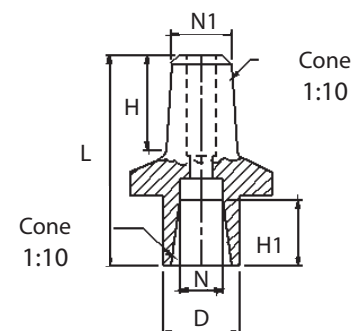
Page 1 of 2

S-1120 Norwegian cap clockwise closing



Material: Ductile iron EN-GJL-250
Coating: Dipped in Owatrol aluminium stain

For valve DN	D mm	H mm	H1 mm	L mm	N mm	N1 mm	Weight kg	Esco no.	NRF no.
40-50	35	48	30	96	12	27	1,2	11005007	550 6731
65	35	48	30	96	17	27	1,2	11006507	
80-150	35	48	30	98	19	27	1,2	11010007	550 6733
200-300	48	52	30	112	27	27	1,4	11020007	550 6734
400-500	48	52	38	112	32,5	27	1,4	11040007	550 6736

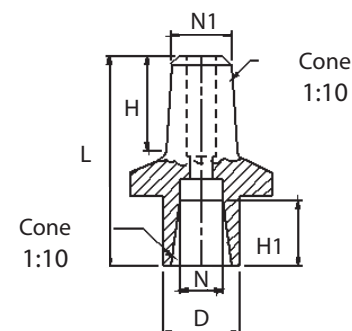


S-1121 Norwegian cap counterclockwise closing



Material: Ductile iron EN-GJL-250
Coating: Dipped in Owatrol aluminium stain

For valve DN	D mm	H mm	H1 mm	L mm	N mm	N1 mm	Weight kg	Esco no.	NRF no.
80-150	35	46	32	98	19	27	1,2	11110007	550 6743
200-300	48	52	32	112	27	27	1,4	11120007	550 6744
400-500	48	52	38	112	32,5	27	1,4	11140007	550 6746

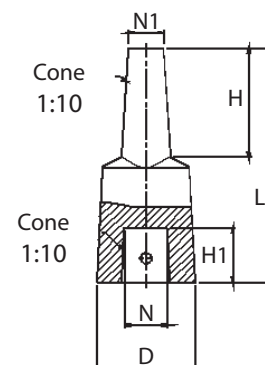


S-1122 Swedish cap



Material: Ductile iron EN-GJL-250
Coating: Dipped in Owatrol aluminium stain
DN 400 integrated in construction; Material: RFST

For valve DN	D mm	H mm	H1 mm	L mm	N mm	N1 mm	Weight kg	Esco no.	NRF no.
80-150	50	72	28,5	135	19	23	1,0	11510007	
200-300	65	72	36,5	155	27	23	1,8	11520007	
400-500		72				23		1540007	



Kongsberg Esco AS can accept no responsibility for possible errors in catalogues, brochures and other printed material. Kongsberg Esco AS reserves the right to alter its products without notice. This also applies to products already on order provided that such alterations can be made without subsequent changes being necessary in specifications already agreed. All trademarks in this material are property of the respective companies. Kongsberg Esco and the Kongsberg Esco logotype are trademarks of Kongsberg Esco AS. All rights reserved.

Caps

For resilient seat gate valves

06-05/1039000551/01.2007 **6**

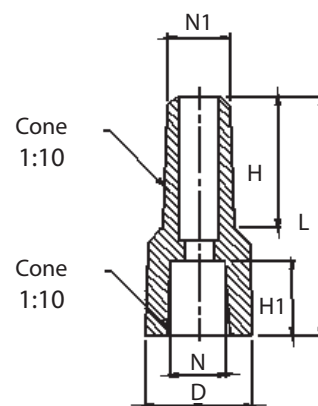
Page 2 of 2

S-1123 English cap



Material: Ductile iron EN-GJL-250
Coating: Dipped in Owatrol aluminium stain
DN 400 integrated in construction; Material: RFST

For valve DN	D mm	H mm	H1 mm	L mm	N mm	N1 mm	Weight kg	Esco no.	NRF no.
40-65	43	63	18	115	12	29	0,8	12005007	
80-150	46	63	28	115	19	29	0,8	12010007	
200-300	52	63	36	115	27	29	0,8	12020007	
400-500		63				29		12040007	

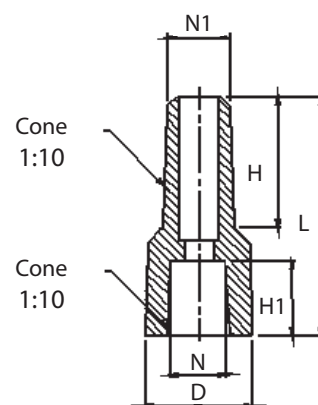


S-1119 Italian cap



Material: Ductile iron EN-GJL-250
Coating: Dipped in Owatrol aluminium stain
DN 400 integrated in construction; Material: RFST

For valve DN	D mm	H mm	H1 mm	L mm	N mm	N1 mm	Weight kg	Esco no.	NRF no.
40-65	43	55	18	107	12	27	0,7	11905007	
80-150	46	55	28	107	19	27	0,7	11910007	
200-300	52	55	36	107	27	27	0,7	11920007	
400-500		55				27		11940007	



S-1124 French cap



Material: GGG 50
Coating: Red/grey primer
DN 400 integrated in construction; Material: RFST

For valve DN	D mm	H mm	H1 mm	L mm	N mm	N1 mm	Weight kg	Esco no.	NRF no.
40-50	46	38	18	40	12	28	0,2	12405007	
65	46	38	18	40	17	28	0,2	12406507	
80-150	46	38	26	42	19	28	0,2	12410007	
200-300	50	38	36	75	27	28	0,3	12420007	
400-500		38				28		12440007	

