

S-0953/S-0955/S-0956 Fire hydrant

Under ground, closeable

07-01/1039002941/06.2009 **7**

Page 1 of 2

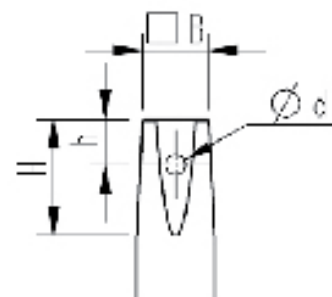
Application and features

- Application: Water
- Manually closing. Prevents polluted water in the system
- DN100 full bore ensures large capacity
- Flow-restrictors available (25% and 50%)
- Automatic draining with flush
- Easily adapted to Storz and Nor coupling
- Adaptable to BS750 - type 2
- GSK approved epoxy coating



Technical description

- Pressure class: PN 16, clockwise closing, standard drilling PN 10
- Max. working temperature: 50°C
- Test pressure: Open valve, 24 bar. Closed valve, 21 bar
- Vacuum: -0,8 bar
- Bonnet connection: Bolts insulated with wax
- Stem: Non-rinsing. With tapered stem end Pitch 1:20 (see table)
- Surface treatment: Epoxy average ca. 250 µm
Colour: Blue, RAL 5017



Dimensions stem top:

DN	B	H	h	d
100	27	38	18,5	8

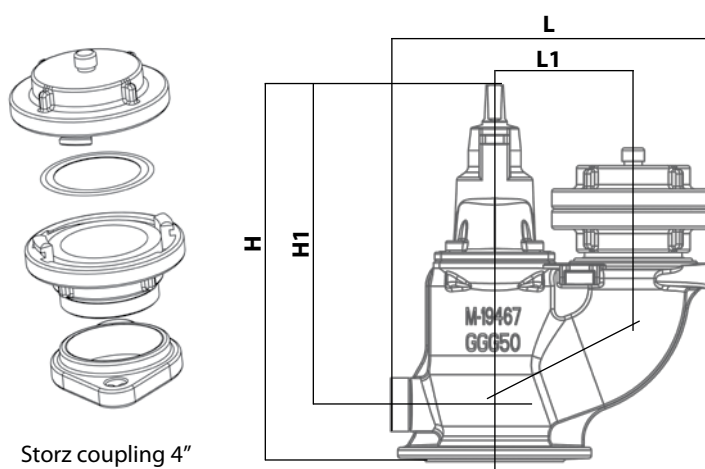
References and dimensions

References

Serie	Coupling	Esco no.
S-0953	Storz 4"	09530100
S-0955	Storz 2 1/2 A	09550100
S-0956	Storz 2 1/2 B	09560100

Dimensions

DN	H	H1	L	L1	Weight
mm	mm	mm	mm	mm	kg
100	423	359	362	155	26



Storz coupling 4"

Kongsberg Esco AS can accept no responsibility for possible errors in catalogues, brochures and other printed material. Kongsberg Esco AS reserves the right to alter its products without notice. This also applies to products already on order provided that such alterations can be made without subsequent changes being necessary in specifications already agreed. All trademarks in this material are property of the respective companies. Kongsberg Esco and the Kongsberg Esco logotype are trademarks of Kongsberg Esco AS. All rights reserved.

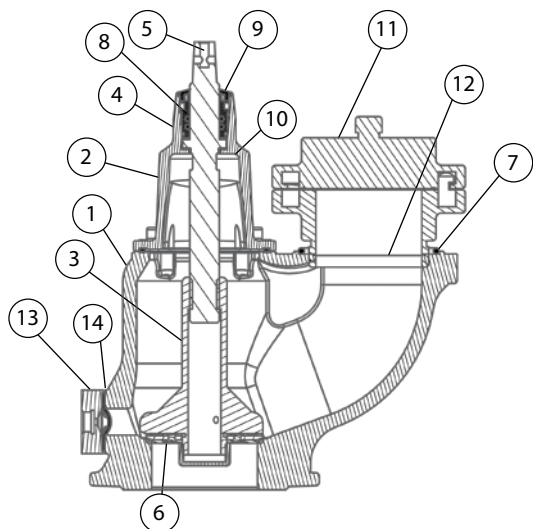
S-0953/S-0955/S-0956 Fire hydrant

Under ground, closeable

07-01/1039002941/06.2009 **7**

Page 2 of 2

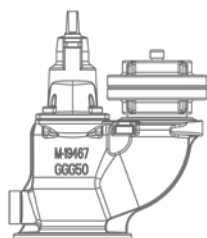
Material specification



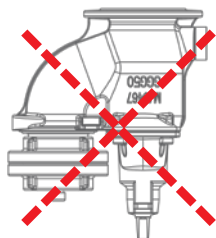
Pos	Detail	Materials
1	Body	Ductile iron EN1563 EN-GJS-500-7
2	Bonnet	Ductile iron EN1563 EN-GJS-500-7
3	Wedge	RG5 EN-CC4491K
4	Stuffing box	RG5 EN-CC4491K
5	Stem	Stainless steel EN10088-3 1.4021
6	Sealing	NBR/stainless steel EN 10088-3 1.4021
7	O-ring	Rubber (NBR)
8	O-ring	Rubber (NBR)
9	Dirt seal	Rubber (NBR)
10	Sleeve bearing	Composite
11	Storz coupling	Gunmetal
12	Flow limiter*	Stainless steel EN 10088-3 1.4021
13	Drain valve	Brass CR
14	Drain membran	Rubber NBR

* Not standard - only upon request

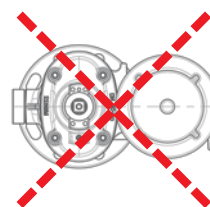
Installation



Recommended



Not recommended



Not recommended

Accessories and other variations

Variations:

- S-0950 With bayonet, 2 hooks
- S-0951 With bayonet, 3 hooks
- S-0952 With Nor coupling