

S-1400 ESCO Air relief valve

Triple function

09-01/1039001391/01.2007 **9**
Page 1 of 2

Application and features

- Application: Water
- High capacity
- Triple function:
 1. Much evacuation
 2. Little evacuation
 3. Vacuum (total capacity on suction)
- Should be placed on the highest level of pipe line
- For easy mounting, see S-1450 Intermediate ring
- For maintenance we recommend placement of manual closing valve

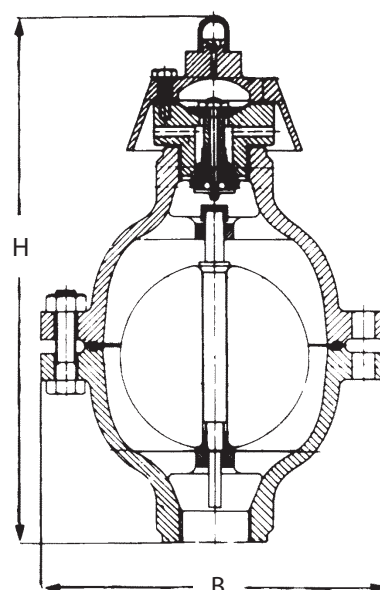


Technical description

- Pressure class: PN 16
- Max. temperature: 70°
- Test pressure: 17,6 bar
- Face-to-face length: See table
- Connection: Internally threaded G1½
- Coating: Epoxy minimum 250 µm
- Product colour: Blå, RAL 5017

References and dimensions

DN mm	H mm	B mm	Weight kg	Esco no.	NRF no.
40	350	225	13	14000001	563 5519



Kongsberg Esco AS can accept no responsibility for possible errors in catalogues, brochures and other printed material. Kongsberg Esco AS reserves the right to alter its products without notice. This also applies to products already on order provided that such alterations can be made without subsequential changes being necessary in specifications already agreed. All trademarks in this material are property of the respective companies. Kongsberg Esco and the Kongsberg Esco logotype are trademarks of Kongsberg Esco AS. All rights reserved.

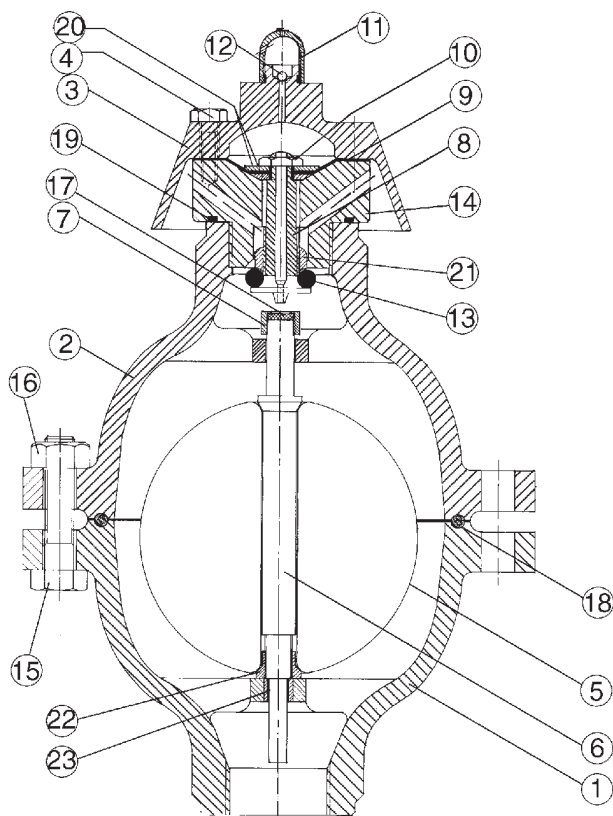
S-1400 ESCO Luftevetnil

Trippelfunksjon

09-01/1039001391/01.2007 **9**

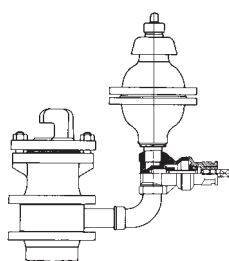
Page 2 of 2

Material specification

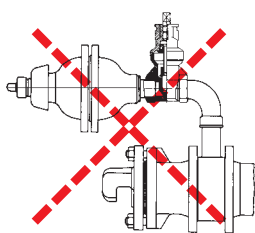


Pos	Detail	Materials
1-2	Body	Cast-iron EN 1561 EN-GJL-200
3	Bonnet	EN-CC491K
4	Hex bolt	Stainless steel A2
5	Float	ABS-plastic
6	Stem	Brass NS 16130-18
7	Packing nut	Brass NS 16130-18
8	Piston rod	Brass NS 16130-18
9	Membrane	Rubber (NBR)
10	Nut	Brass NS 16130-18
11	Cap	Brass NS 16130-18
12	Ball	Stainless steel EN 10 088-3
13	O-ring	Rubber (NBR)
14	Valve body	Brass NS 16130-18
15	Hex bolt	Hot dipped galvanized steel 8.8
16	Nut	Hot dipped galvanized steel 8.8
17	Packing valve	Rubber (NBR)
18	Packing housing	Rubber (NBR)
19	O-ring	Rubber (NBR)
20	Discs for membrane	Brass NS 16130-18
21	Nut	Brass NS 16130-18
22	Nut	Brass NS 16130-18
23	Bushing	Brass NS 16130-18

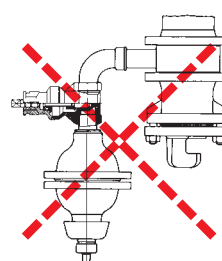
Installation



Recommended



Not possible



Not possible

Accessories

For maintenance we recommend placement of manual closing valve, e.g. S-2160 DN 32 (Esco no.: 21600040).