

S-2500 Check valve

Type 405

09-02/06.2011 **9**
Page 1 of 2

Application and features

- Application: Water and sewage
- Drain plug hole makes insertment of lifting equipment for flap possible
- Rubber coated flap

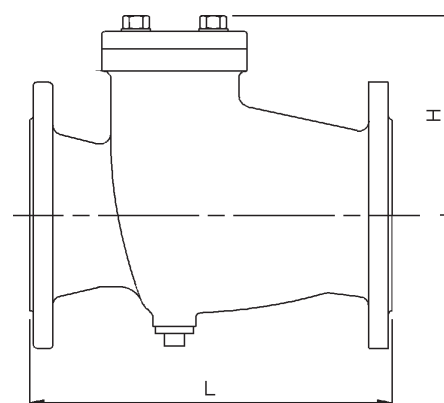


Technical description

- Design standards: DIN 3202, EN 545
- Face-to-face length: DIN 3202/ F6
- Pressure class: PN 16 clockwise closing
- Flange drilling: Standard drilling PN 10
- Max. temperature: 50°
- Test pressure open valve: 24 bar
- Test pressure closed valve: < 0,05 bar
- Closing pressure: 0,05 bar
- Coating: Epoxy minimum 250 µm
- Product colour: Blue, RAL 5017

References and dimensions

DN mm	H mm	L mm	Weight kg	Kv m ³ /h	Z	Esco no.	NRF no.
65	122	240	19	335	0,2	25000065	554 2129
80	140	260	22	507	0,2	25000080	554 2133
100	152	300	26	792	0,2	25000100	554 2136
125	162	350	34	1238	0,2	25000125	554 2139
150	180	400	45	2228	0,15	25000150	554 2143
200	205	500	57	3960	0,15	25000200	554 2149



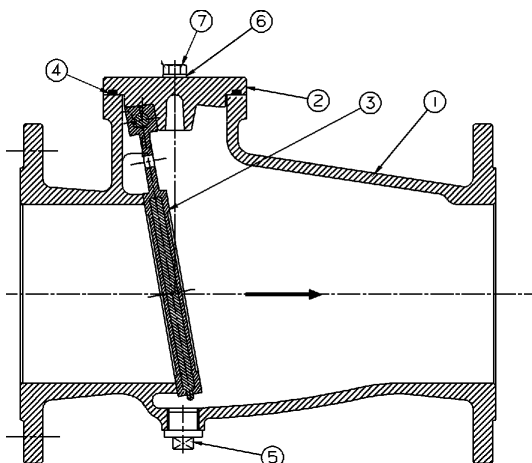
Kongsberg Esco AS can accept no responsibility for possible errors in catalogues, brochures and other printed material. Kongsberg Esco AS reserves the right to alter its products without notice. This also applies to products already on order provided that such alterations can be made without subsequent changes being necessary in specifications already agreed. All trademarks in this material are property of the respective companies. Kongsberg Esco and the Kongsberg Esco logotype are trademarks of Kongsberg Esco AS. All rights reserved.

S-2500 Check valve

Type 405

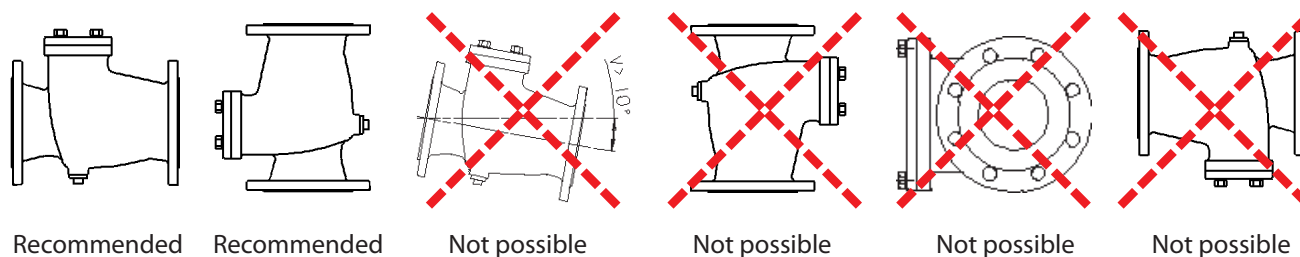
09-02/06.2011 **9**
Page 2 of 2

Material specification



Pos	Detail	Materials
1	Body	Ductile iron EN 1563 EN-GJS-500-7
2	Cover	Ductile iron EN 1563 EN-GJS-500-7
3	Flap	DN 65-150: Ductile iron EN 1563 EN-GJS-500-7 Rubber (NBR) DN 200: St. 37-2, NS 12120 Rubber (NBR)
4	O-ring	Rubber (NBR)
5	Drain plug	Steel VZN
6	Washer	Steel VZN
7	Bolt	Steel 8.8 VZN

Installation



Other variations

[S-2555 Check valve with seat in gunmetal](#)