

# S-2555 Check valve

Type 405

09-03/10390001241/10.2008 **9**

Page 1 of 2

## Application and features

- Application: Water and sewage
- Seat in corrosion resistant material (gunmetal)
- Design pressure 64 bar (Vds)
- Drain plug hole makes insertment of lifting equipment for flap possible
- Rubber coated flap

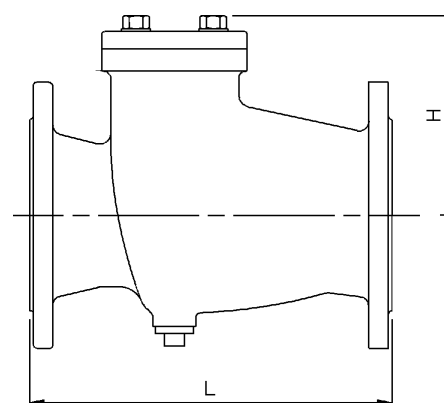


## Technical description

- Approvals: VdS (D)
- Standards: DIN 3202, EN 12266
- Face-to-face length: DIN 3202 F6
- Pressure class: PN 16 clockwise closing
- Flange drilling: Standard drilling PN 10
- Max. temperature: 50°
- Test pressure open valve: 24 bar
- Test pressure closed valve: 17,6 bar
- Closing pressure: 0,05 bar
- Coating: Epoxy minimum 250 µm
- Product colour: Blue, RAL 5017

## References and dimensions

DN mm	H mm	L mm	Weight kg	Kv m <sup>3</sup> /h	Z	Esco no.
65	122	240	17	335	0,2	25550065
80	140	260	19	507	0,2	25550080
100	152	300	23	792	0,2	25550100
125	162	350	29	1238	0,2	25550125
150	180	400	38	2228	0,15	25550150
200	205	500	58	3960	0,15	25550200



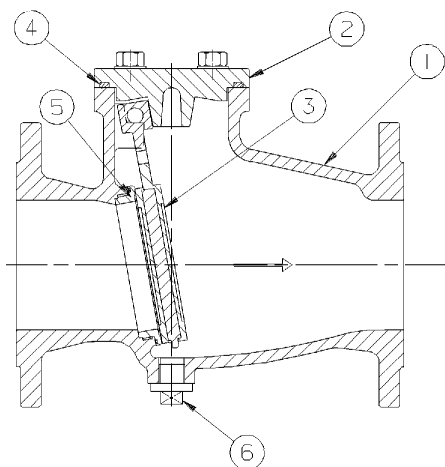
Kongsberg Esco AS can accept no responsibility for possible errors in catalogues, brochures and other printed material. Kongsberg Esco AS reserves the right to alter its products without notice. This also applies to products already on order provided that such alterations can be made without subsequential changes being necessary in specifications already agreed. All trademarks in this material are property of the respective companies. Kongsberg Esco and the Kongsberg Esco logotype are trademarks of Kongsberg Esco AS. All rights reserved.

# S-2555 ESCO Check Valve

Type 405

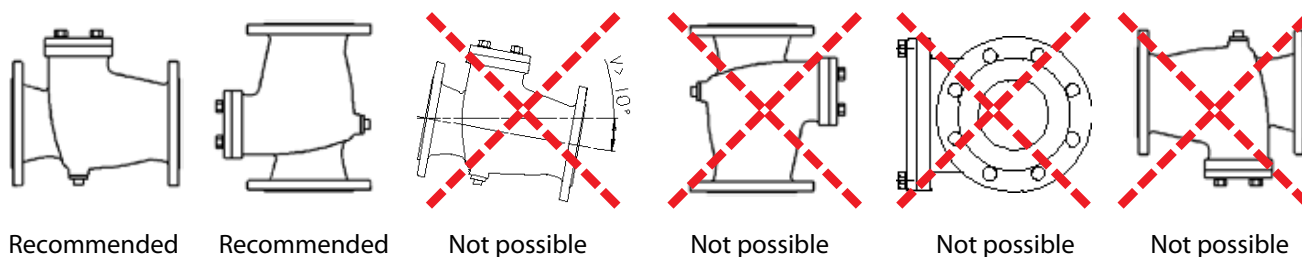
09-03/1039001241/10.2008 **9**  
Page 2 of 2

## Material specification



Pos	Detail	Materials
1	Body	DN 65-80: Gunmetal EN-CC491K  DN 100-200: Ductile iron EN 1563 EN-GJS-500-7
2	Cover	Ductile iron EN 1563 EN-GJS-500-7
3	Flap	Ductile iron EN 1563 EN-GJS-500-7 Rubber (NBR)
4	O-ring	Rubber (NBR)
5	Seat	Gunmetal EN-CC491K
6	Drain plug	Brass CuZn 39 Pb3

## Installation



## Spare parts

Spare part:	DN 65	DN 80	DN 100	DN 125	DN 150	DN 200
Flap	2025506502	2025508002	2025510002	2025512502	2025515002	2025520002
Gasket	1025006508	1025008008	1025010008	1025012508	1025015008	1025020008

## Other variations

[S-2500 Check valve](#)