

Flange adapters, gaskets and supporting bushes

S-9180/S-9580/S-9190/S-9590/S-9107/S-9108/S-9191/S-9192/S-9193

10-01/1039000911/02.2007 **10**

Page 1 of 5

Application and features

- Application: Water, sewage and sea water
- User-friendly – sufficient room for tools
- Same model fits PVC-, PE- and ductile iron pipes
- May be used for PE-pipes, however in combination with S-9193 Supporting bush
- Please note that vacuum on PE-pipe may lead to leakage in flange. Usage of supporting bush can prevent this

- S-9180 Flange adapter PN 10
- S-9580 Flange adapter PN 16
- S-9190 Flange adapter PN 10 with bolts
- S-9590 Flange adapter PN 16 with bolts
- S-9107 Flange adapter gasket for PE-/PVC-pipes
- S-9108 Flange adapter for ductile iron pipes
- S-9191 Flange adapter gasket for PE-/PVC-pipes, pullout resistant
- S-9192 Flange adapter for ductile iron pipes, pullout resistant
- S-9193 Supporting bush for PE-pipes



Technical description

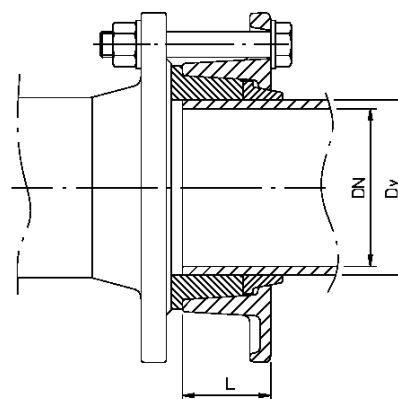
- Pressure class: PN 16
- Flange drilling: Standard drilling PN 10 (EN1092-2)
- Max. temperature: 70°, for drinking water 20°
- Coating: Epoxy minimum 250 µm
- Product colour: Blue, RAL 5017

Stud torque for bolts

DN	Bolt	Torque (Nm)
50	M 16 x 90	80
65	M 16 x 100	80
80	M 16 x 100	80
100	M 16 x 110	80
125	M 20 x 110	100
150	M 20 x 130	150
200	M 20 x 150	150
250	M 20 x 160	200
300	M 20 x 170	200
400	M 24 x 200	200
500	M 24 x 220	220
600	M 27 x 220	220

Common references and dimensions for flange adapters

DN mm	PVC/PE mm (Dy)	Ductile pipes mm (Dy)	L mm
50	63	66	46
65	75	82	50
80	90	98	53
100	110	118	55
125	125/140	144	62
150	160	170	71
200	200/225	222	86
250	250/280	274	99
300	315	326	104
400	400	429	130
500	500	532	137
600	630	636	137



Kongsberg Esco AS can accept no responsibility for possible errors in catalogues, brochures and other printed material. Kongsberg Esco AS reserves the right to alter its products without notice. This also applies to products already on order provided that such alterations can be made without subsequent changes being necessary in specifications already agreed. All trademarks in this material are property of the respective companies. Kongsberg Esco and the Kongsberg Esco logotype are trademarks of Kongsberg Esco AS. All rights reserved.

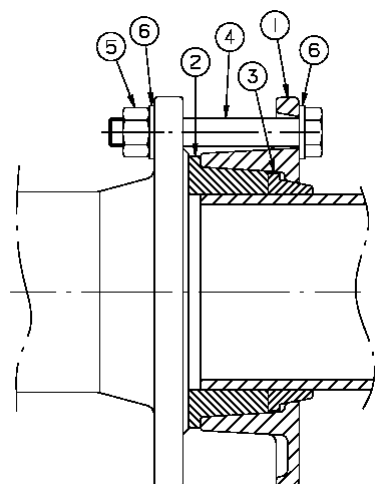
Flange adapters, gaskets and supporting bushes

S-9180/S-9580/S-9190/S-9590/S-9107/S-9108/S-9191/S-9192/S-9193

10-01/1039000911/02.2007 **10**

Page 2 of 5

Material specification



Pos	Detail	Materials
1	Flange adapter	Ductile iron EN 1563 EN-GJS-500-7
2	Gasket	Rubber (NBR)
3	Retaining ring	S-9191: Gunmetal EN-CC491K S-9192: Ductile iron EN 1563 EN-GJS-500-7
4	Hexagon-headed screw	Steel 8.8 VZN
5	Nut	Steel 8.8 VZN
6	Washer	Steel VZN

Installation

See separate sheet for:

[\[Assembly instructions S-9190/S-9191/S-9192 Flange adapter – pullout resistant\]](#)

Product specific references and dimensions



S-9180 Flange adapter

PN 10
For PE-/PVC- and
ductile iron pipes



S-9180 Flange adapter

DN mm	Weight kg	Esco no.	NRF no.
50	1,7	91800050	206 0402
65	2,2	91800065	206 0404
80	3,2	91800080	206 0405
100	3,3	91800100	206 0409
125	5,0	91800125	206 0414
150	6,1	91800150	206 0419
200	8,9	91800200	206 0429
250	12,6	91800250	206 0439
300	16,0	91800300	206 0449
400	27,2	91800400	206 0452
500	33,0	91800500	206 0454
600	38,0	91800600	206 0459



S-9580 Flange adapter

PN 16
For PE-/PVC- and
ductile iron pipes



S-9580 Flange adapter

DN mm	Weight kg	Esco no.	NRF no.
200	8,9	95800200	206 0434
250	12,6	95800250	206 0444
300	16,0	95800300	206 0451
400	27,2	95800400	206 0453

Flange adapters, gaskets and supporting bushes

S-9180/S-9580/S-9190/S-9590/S-9107/S-9108/S-9191/S-9192/S-9193

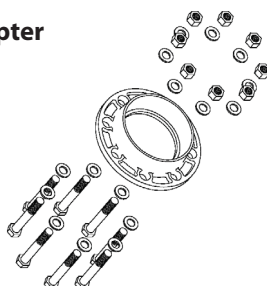
10-01/1039000911/02.2007 **10**

Page 3 of 5

Product specific references and dimensions



S-9190 Flange adapter
PN 10
With bolts

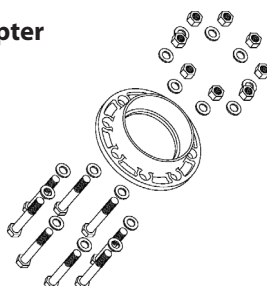


S-9190 Flange adapter

DN mm	Weight kg	Esco no.	NRF no.
50	3,2	91900050	206 0371
65	3,9	91900065	206 0373
80	5,3	91900080	206 0375
100	5,1	91900100	206 0377
125	7,5	91900125	206 0378
150	10,0	91900150	206 0379
200	13,3	91900200	206 0382
250	18,8	91900250	206 0384
300	23,0	91900300	206 0386
400	34,2	91900400	206 0391
500	50,0	91900500	206 0393
600	55,2	91900600	206 0395



S-9590 Flange adapter
PN 16
With bolts

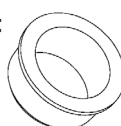


S-9590 Flange adapter

DN mm	Weight kg	Esco no.	NRF no.
200	8,9	95800200	206 0434
250	12,6	95800250	206 0444
300	16,0	95800300	206 0451
400	27,2	95800400	206 0453



S-9107 Flange adapter gasket
For PE-/PVC-pipes
Not pullout resistant



Please note: Vacuum on PE-pipe may lead to leakage in flange. Supporting bush is recommended.

S-9107 Flange adapter gasket

DN mm	Dy mm	Weight kg	Esco no.	NRF no.
50	63	0,2	91070602	206 0553
65	75	0,2	91070752	206 0554
80	90	0,3	91070902	206 0555
100	110	0,5	91071102	206 0559
125	125	0,3	91071252	206 0563
125	140	0,4	91071402	206 0565
150	160	1,0	91071602	206 0569
200	200	2,4	91072002	206 0575
200	225	1,0	91072202	206 0579
250	250	3,5	91072502	206 0585
250	280	1,1	91072802	206 0589
300	315	2,5	91073102	206 0595
400	400	6,0	91074002	206 0597
500	500	7,9	91075002	206 0598
600	600	4,1	91076002	206 0599

Kongsberg Esco AS can accept no responsibility for possible errors in catalogues, brochures and other printed material. Kongsberg Esco AS reserves the right to alter its products without notice. This also applies to products already on order provided that such alterations can be made without subsequent changes being necessary in specifications already agreed. All trademarks in this material are property of the respective companies. Kongsberg Esco and the Kongsberg Esco logotype are trademarks of Kongsberg Esco AS. All rights reserved.

Flange adapters, gaskets and supporting bushes

S-9180/S-9580/S-9190/S-9590/S-9107/S-9108/S-9191/S-9192/S-9193

10-01/1039000911/02.2007 **10**

Page 4 of 5

Product specific references and dimensions



S-9108 Flange adapter gasket

For ductile iron pipes
Not pullout resistant



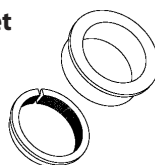
S-9108 Flange adapter gasket

DN mm	Dy mm	Weight kg	Esco no.	NRF no.
50	66	0,1	91080502	206 0501
65	82	0,2	91080652	206 0503
80	98	0,3	91080802	206 0505
100	118	0,4	91081002	206 0509
125	144	0,4	91081252	206 0514
150	170	0,7	91081502	206 0519
200	222	1,2	91082002	206 0524
250	274	1,6	91082502	206 0534
300	326	1,8	91083002	206 0544
400	429	3,1	91084002	206 0546
500	532	3,4	91085002	206 0549
600	635	4,1	91086002	206 0554



S-9191 Flange adapter gasket

For PE-/PVC-pipes
Pullout resistant



Please note: Vacuum on PE-pipe may lead to leakage in flange. Supporting bush is recommended.

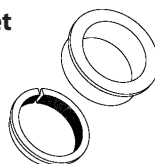
S-9191 Flange adapter gasket

DN mm	Dy mm	Weight kg	Esco no.	NRF no.
50	65	0,3	91910063	206 0462
65	75	0,5	91910075	206 0463
80	90	0,8	91910090	206 0464
100	110	1,0	91910110	206 0466
125	125	0,7	91910125	206 0469
125	140	0,9	91910140	206 0467
150	160	2,0	91910160	206 0468
200	200	2,0	91910200	206 0472
200	225	1,9	91910225	206 0471
250	250	4,2	91910250	206 0474
250	280	2,1	91910280	206 0473
300	315	7,2	91910315	206 0475
400	400	7,2	91910400	206 0477



S-9192 Flange adapter gasket

For ductile pipes
Pullout resistant
Not marine corrosion resistant



S-9192 Flange adapter gasket

DN mm	Weight kg	Esco no.	NRF no.
80	0,4	91920080	206 0484
100	0,5	91920100	206 0486
125	0,5	91920125	206 0487
150	1,1	91920150	206 0488
200	1,9	91920200	206 0491
250	2,4	91920250	206 0493
300	1,5	91920300	206 0495

Flange adapters, gaskets and supporting bushes

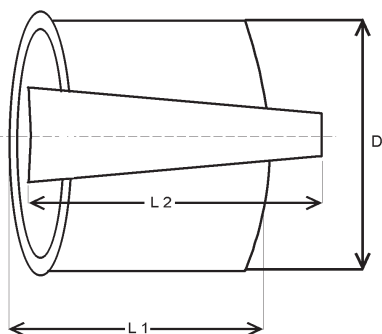
S-9180/S-9580/S-9190/S-9590/S-9107/S-9108/S-9191/S-9192/S-9193

10-01/1039000911/02.2007 **10**

Page 5 of 5

Product specific references and dimensions

S-9193 Supporting bush For PE-pipes



S-9193 Supporting bush

Dy (PE-pipe) mm	s mm	D (bush) mm	L1 mm	L2 mm	Weight kg	Esco no.	NRF no.
63	5,8	51,4	100	100	0,12	91930631	205 8811
63	8,6	45,8	100	100	0,12	91930632	205 8813
75	6,8	61,4	100	100	0,14	91930751	205 8815
75	10,3	54,4	100	100	0,14	91930752	205 8817
90	8,0	73,6	140	140	0,29	91930901	205 8819
90	12,3	65,4	140	140	0,29	91930902	205 8822
110	6,6	96,8	90	160	0,31	91931101	205 8824
110	10,0	90,0	90	160	0,31	91931102	205 8826
110	15,1	79,8	90	160	0,31	91931103	205 8828
125	11,4	102,2	90	160	0,34	91931251	205 8833
125	17,1	90,8	90	160	0,34	91931252	205 8835
125	7,4	110,2	90	160	0,34	91931253	205 8831
140	12,7	114,6	90	160	0,37	91931401	205 8839
140	19,2	101,6	90	160	0,37	91931402	205 8842
140	8,3	123,4	90	160	0,37	91931403	205 8837
160	14,6	130,8	100	165	0,63	91931601	205 8846
160	21,9	116,2	100	165	0,63	91931602	205 8848
160	9,5	141,0	100	165	0,63	91931603	205 8844
180	16,4	147,2	100	165	0,65	91931801	205 8853
180	24,6	130,8	100	165	0,65	91931802	205 8855
180	10,7	158,6	100	165	0,65	91931803	205 8851
200	18,2	163,6	100	165	0,68	91932001	205 8859
200	27,3	145,4	100	165	0,68	91932002	205 8862
200	11,9	176,2	100	165	0,68	91932003	205 8857
225	20,5	184,0	110	180	0,87	91932251	205 8866
225	30,8	163,4	110	180	0,87	91932252	205 8868
225	13,4	198,2	110	180	0,87	91932253	205 8864
250	27,2	195,6	110	180	0,92	91932501	205 8875
250	34,2	181,6	110	180	0,92	91932502	205 8877
250	14,8	220,4	110	180	0,92	91932503	205 8871
250	22,7	204,6	110	180	0,92	91932504	205 8873
280	25,4	229,2	110	180	1,14	91932801	205 8882
280	38,3	203,4	110	180	1,14	91932802	205 8884
280	16,6	246,8	110	180	1,14	91932803	205 8879
315	28,6	257,8	110	180	1,16	91933151	205 8888
315	43,0	229,0	110	180	1,16	91933152	205 8891
315	18,7	277,6	110	180	1,16	91933153	205 8886

s = veggtykkelse på PE-rør

Kongsberg Esco AS can accept no responsibility for possible errors in catalogues, brochures and other printed material. Kongsberg Esco AS reserves the right to alter its products without notice. This also applies to products already on order provided that such alterations can be made without subsequent changes being necessary in specifications already agreed. All trademarks in this material are property of the respective companies. Kongsberg Esco and the Kongsberg Esco logotype are trademarks of Kongsberg Esco AS. All rights reserved.