

S-1460 Taper ring

Adjustable

11-03/1039001331/03.2007 **11**

Page 1 of 1

Application and features

- Application: Water and sewage
- For adjustment of angle deviations from 0-8°



Technical description

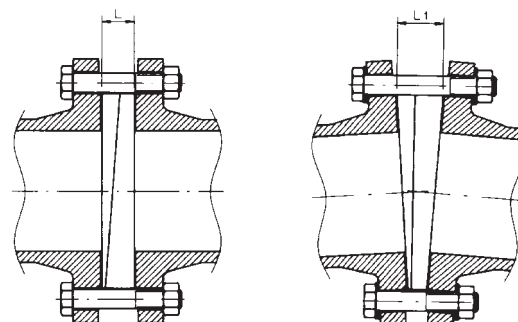
- Max. working pressure: PN 25
- Max. temperature: 70°
- Face-to-face length: See table
- Taper angle: 0-8°

Material specification

- Steel: St 37
- Electrogalvanized: 10-15 µm
- Gasket: Rubber (NBR)

References and dimensions

DN mm	L at 0°	L1 at 8°	Weight kg	Esco no.	NRF no.
40	23	29	0,6	14600040	206 6818
50	24	31	0,8	14600050	206 6824
65	25	34	1,4	14600065	206 6829
80	26	37	1,7	14600080	206 6834
100	26	38	2,0	14600100	206 6839
125	29	43	3,2	14600125	206 6844
150	32	48	4,1	14600150	206 6849
200	36	56	5,4	14600200	206 6854
250	40	64	7,7	14600250	206 6864
300	43	71	9,7	14600300	206 6869
350	53	84	17,6	14600350	206 6879
400	56	91	19,3	14600400	206 6885
500	68	108	32,1	14600500	206 6891
600	73	120	40,3	14600600	206 6896
700	84	141	76,0	14600700	206 6902



Kongsberg Esco AS can accept no responsibility for possible errors in catalogues, brochures and other printed material. Kongsberg Esco AS reserves the right to alter its products without notice. This also applies to products already on order provided that such alterations can be made without subsequent changes being necessary in specifications already agreed. All trademarks in this material are property of the respective companies. Kongsberg Esco and the Kongsberg Esco logotype are trademarks of Kongsberg Esco AS. All rights reserved.