

Heinco Flex fittings

For PVC and ductile iron pipes

13-01/ 05.01-2010 **13**

Page 1 of 4

Application and features

- Application: Water and sewage
- Angular adjustment: Max. 11,5 ° in one plane vertically or horizontally (as an example, the stopping knobs must be vertical when adjusting horizontally)
- Choosable angular deviation 5-51° and 44-90° by use of two bends



Technical description

- Face-to-face length: See tables
- Max. working pressure: PN 10
- Flange drilling: Standard drilling PN 10
- Max. temperature: 50°
- Test pressure: 15 bar
- Coating: Epoxy minimum 250 µm
- Product colour: Blue, RAL 5017

Material specification

Material specification

Detail	Materials
Body	Ductile iron EN 1563 EN-GJS-500-7
Gland	Ductile iron EN 1563 EN-GJS-500-7
Gasket	EPDM 60 Shore A
Bolts	Hot dipped galvanized steel 8.8 (A2/A4 on request)

Kongsberg Esco AS can accept no responsibility for possible errors in catalogues, brochures and other printed material. Kongsberg Esco AS reserves the right to alter its products without notice. This also applies to products already on order provided that such alterations can be made without subsequential changes being necessary in specifications already agreed. All trademarks in this material are property of the respective companies. Kongsberg Esco and the Kongsberg Esco logotype are trademarks of Kongsberg Esco AS. All rights reserved.

Heinco Flex fittings

For PVC and ductile iron pipes

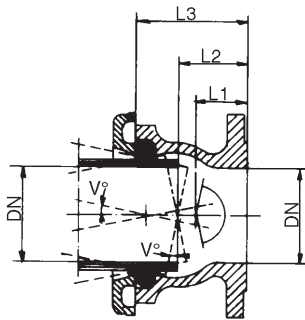
13-01/05.01.2010 **13**

Page 2 of 4

Product specific references and dimensions



S-9170-2 Flange socket
For ductile iron pipes



S-9170-2 Flange socket

DN mm	L1 mm	L2 mm	L3 mm	V°	Weight kg	Esco no.
100	55	75	120	11,5	13,5	91701002
150	65	85	135	11,5	20,0	91701502
200	75	95	150	11,5	32,0	91702002
250	80	100	165	11,5	44,0	91702502
300	80	100	170	8,5	56,0	91703002

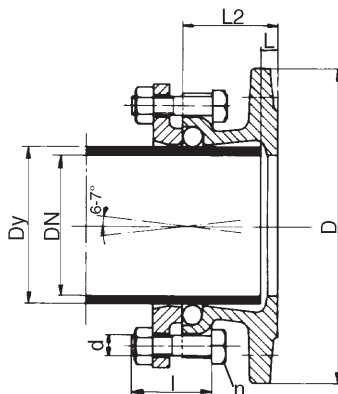
Angular deviation

- Horizontal plane: See table
- Vertical plane: 0-4°

In order to achieve the same deviation in opposite plane, the socket must be turned 90°.



S-9182 Flange socket
For PVC-pipes



S-9182 Flange socket

Dy mm	DN mm	L mm	L2 mm	D mm	d mm	l mm	n pcs.	O-ring mm	Weight kg	Esco no.
110	100	10	65	220	M12	50	4	15	6,5	91821011
160	150	15	75	285	M12	55	4	15	11,5	91821516
225	200	20	85	340	M16	60	4	15	18,0	91822022
280	250	45	140	395	M20	75	6	20	32,0	91822528
315	300	55	150	445	M20	75	8	20	42,0	91823031
400	400	90	190	565	M20	90	10	25	98,0	91824040

Angular deviation

- Horizontal plane: 0-6°
- Vertical plane: 0-4°

In order to achieve the same deviation in opposite plane, the socket must be turned 90°.

Heinco Flex fittings

For PVC and ductile iron pipes

13-01/ 05.01-2010 **13**

Page 3 of 4

Product specific references and dimensions



S-9181 Bend

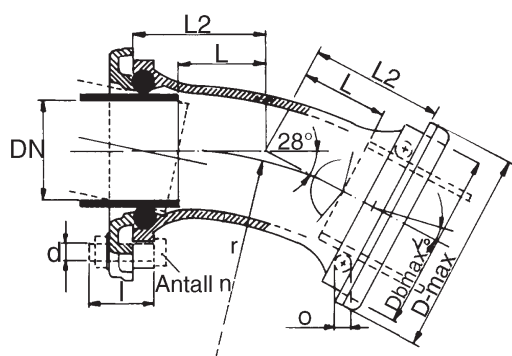
For ductile iron pipes

Angular deviation 5-90° by use of two standard bends:

- 28° bend covering angular deviation 5-21°
- 67° bend covering angular deviation 44-90°

Angular deviation:

- Horizontal plane: 0-11,5°
- Vertical plane: 0-4°

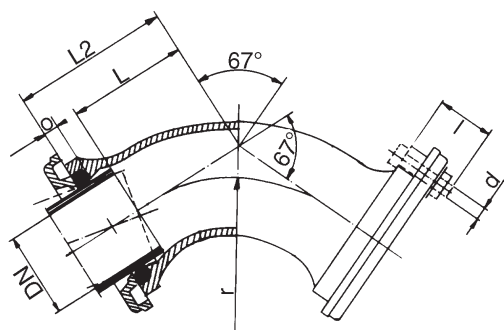


S-9181 Bend 5-51°

DN	L	L2	Db	r	D	d	l	n	O-ring	Weight	Esco no.
mm	mm	mm	mm	mm	mm	mm	mm	pcs.	mm	kg	
100	95	140	250	300	272	M20	75	4	20	20	91811051
150	110	160	320	350	344	M20	75	4	20	29	91811551
200	125	180	350	400	376	M20	75	6	20	48	91812051
250	140	205	415	450	440	M20	75	6	25	70	91812551
300	155	225	466	500	490	M20	90	8	25	92	91813051
350	170	250	520	550	550	M20	90	8	25	124	91813551
400	185	275	580	600	610	M20	90	10	25	165	91814051

Angular deviation

- Horizontal plane: 0-11,5°
- Vertical plane: 0-4°



S-9181 Bend 44-90°

DN	L	L2	Db	r	D	d	l	n	O-ring	Weight	Esco no.
mm	mm	mm	mm	mm	mm	mm	mm	pcs.	mm	kg	
100	150	195	192	150	214	M20	65	4	20	22	91811090
150	175	225	250	200	274	M20	75	4	20	34	91811590
200	200	255	350	225	376	M20	75	6	20	56	91812090
250	225	290	415	275	440	M20	75	6	25	85	91812590
300	250	320	466	325	496	M20	90	8	25	115	91813090
350	275	355	520	350	550	M20	90	8	25	158	91813590

Angular deviation

- Horizontal plane: 0-11,5°
- Vertical plane: 0-4°

Heinco Flex fittings

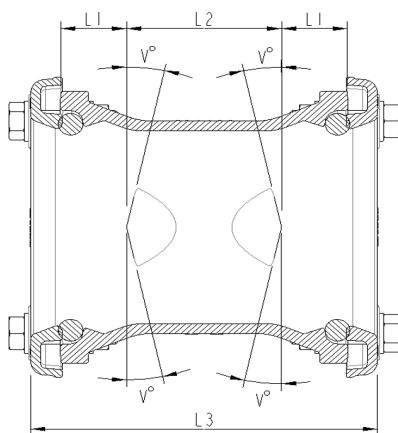
For PVC and ductile iron pipes

Product specific references and dimensions



S-9181-23 Double Socket
For ductile pipes

DN mm	L1 mm	L2 mm	L3 mm	V°	Weight kgs	Esco no.
100	55	94	220	11,5°	18,5	91811023
150	53	125	278	11,5°	27,5	91811523
200	67	128	312	11,5°	46,5	91812023
250	70	162	650	11,5°	63,5	91812523
300	76	190	390	11,5°	76,0	91813023



Angular deviation:

- Horizontal plane: 0-11,5°
- Vertical plane: 0-4°

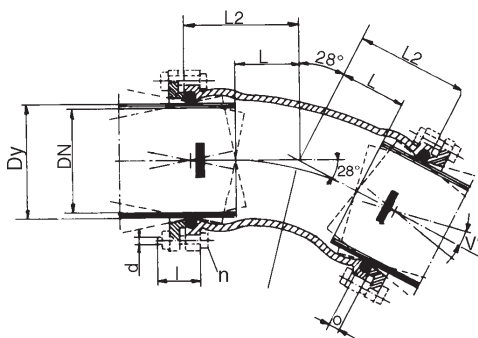


S-9184 Bend
For PVC-pipes

This bend is designed after the same principal as for ductile iron pipes. The assembly is also equal.

Angular deviation:

- Horizontal plane: 0-11,5°
- Vertical plane: 0-4°



S-9184 Bend 5-51°

Dy mm	DN mm	L mm	L2 mm	r mm	D mm	d mm	l mm	n pcs.	O-ring mm	Weight kg	Esco no.
110	100	80	140	300	200	M12	50	4	15	12	91841151
160	150	90	160	350	250	M12	55	4	15	21	91841651
225	200	100	180	400	340	M16	65	6	15	36	91842251
280	250	115	205	450	415	M20	75	6	20	60	91842851
315	300	125	225	500	460	M20	75	8	20	88	91843151

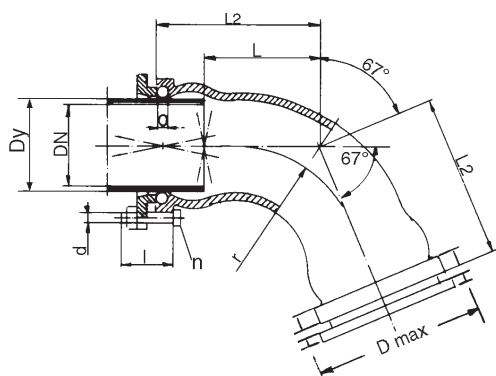
Heinco Flex fittings

For PVC and ductile iron pipes

13-01/ 05.01-2010 **13**

Page 5 of 4

Product specific references and dimensions



S-9184 Bend 44-90°

Dy	DN	L	L2	r	D	d	l	n	O-ring	Weight	Esco no.
mm	mm	mm	mm	mm	mm	mm	mm	pcs.	mm	kg	
110	100	135	195	150	200	M12	50	4	15	14	91841190
160	150	155	225	200	250	M12	55	4	15	26	91841690
225	200	175	255	225	340	M16	65	6	15	44	91842290
280	250	200	290	275	415	M20	75	6	20	75	91842890
315	300	225	320	325	460	M20	75	8	20	111	91843190

Kongsberg Esco AS can accept no responsibility for possible errors in catalogues, brochures and other printed material. Kongsberg Esco AS reserves the right to alter its products without notice. This also applies to products already on order provided that such alterations can be made without subsequential changes being necessary in specifications already agreed. All trademarks in this material are property of the respective companies. Kongsberg Esco and the Kongsberg Esco logotype are trademarks of Kongsberg Esco AS. All rights reserved.